

www.satec-tools.com



Global integrators of technology solutions  
全球技术方案供应商



**SATEC 赛泰克®**

**SATEC 赛泰克®** 是一个国际知名的液压、电动、气动动力工具品牌。AMERICAN SATEC INTERNATIONAL GROUP CO., LIMITED 公司凭借自身的技术优势，同时依托中国的制造优势，联合中国成熟的销售渠道，于2022年在杭州成立了中国第一家合资液压动力设备制造公司——浙江赛泰克智能制造有限公司。公司拥有先进的螺栓紧固技术、精密的加工设备、成熟的现场施工经验、完善的售后服务体系。愿为中国工业发展提供优秀的螺栓紧固方案及产品。

**SATEC 赛泰克®** is an internationally renowned brand of hydraulic, electric and pneumatic power tools. AMERICANSATECINTERNATIONALGROUPCO., Limited, relying on its own technical advantages, as well as China's manufacturing advantages, combined with China's mature sales channels, established China's first joint-venture hydraulic power equipment manufacturing company in Hangzhou in 2022 - Zhejiang SATEC Intelligent Manufacturing Co., Ltd. The company has advanced bolt fastening technology, precision processing equipment, mature on-site construction experience and perfect after-sales service system. We are willing to provide excellent bolt fastening solutions and products for China's industrial development.



主营产品 Main Product

<b>螺栓紧固类</b> Bolt Fastening	气动力扳手 Pneumatic Torque Wrench	电动力扳手 Electric Torque Wrench	液压扳手 Hydraulic Wrench	液压拉伸器 Hydraulic Stretcher	手动力扳手 Manual Torque Wrench
<b>综合工具类</b> Comprehensive Tools	液压油缸 Hydraulic Cylinder	液压泵站 Hydraulic Pump Station	液压拉马 Hydraulic Puller	法兰分离器 Flange Separator	重型套筒 Heavy Duty Sleeve

资质证书 Qualification Certificate



**SAT驱动型液压扭矩扳手**  
SAT hydraulic torque wrench



按钮式快速替换方形驱动轴  
Button change square driver

钢制护套 / steel boot

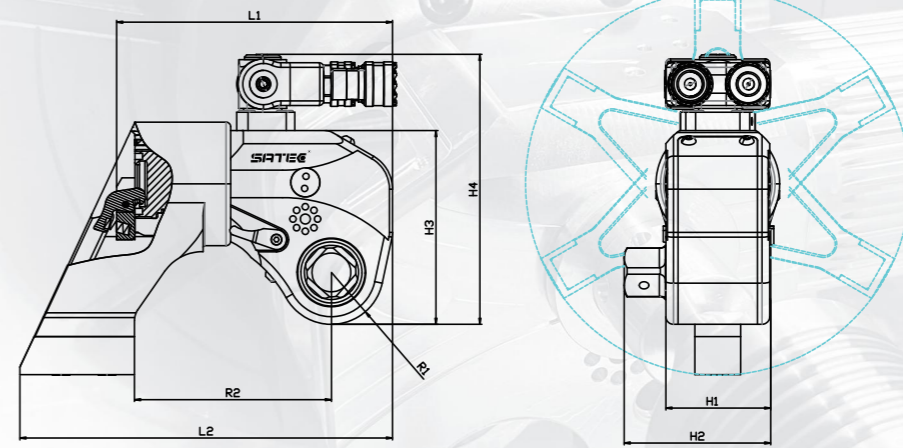
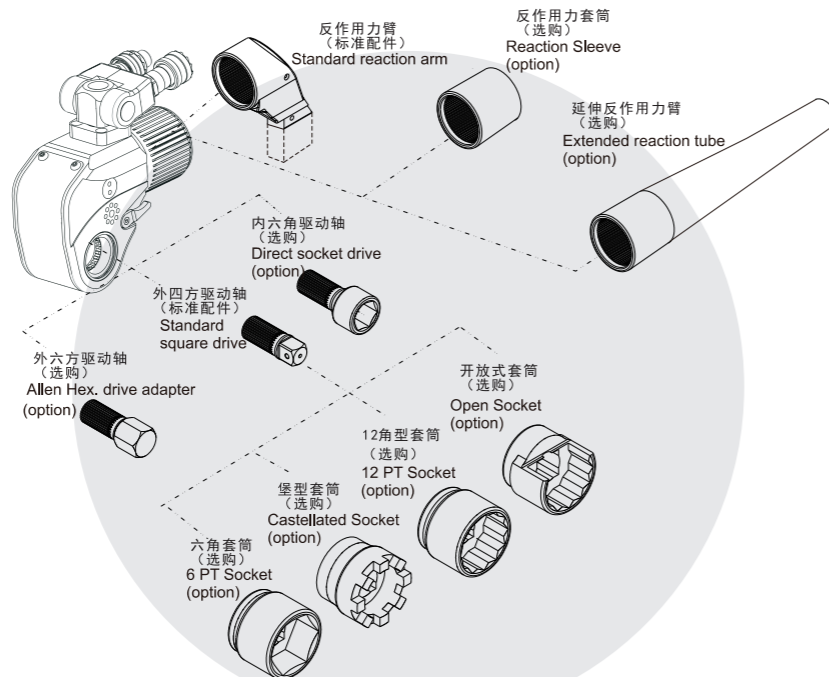
- 最大工作压力700bar  
Square Drive Wrenches
- 360x180度出入口油口万向旋转  
360 degree Reaction Arm-Easy to working in any position
- 360度旋转调整反力臂  
Lightweight High Power Wrench for Sockets or Allen-key
- 卡扣式反力臂，更换简易  
700 bar maximum working pressure
- 按钮式放松驱动轴，更换简易  
Push-button drive release-Quick change drive side
- 单向棘轮可确保无需手持和其他工具的操作  
One-way Ratchet-the only way to assure hands-free and multi-tool operation
- 反锁开关 Anti-Lock Switch
- 特殊防锈表面处理  
Anti-Rust Finish-Special surface treatment.

- 采用高科技航空材质，铝钛合金及高强度合金钢制造  
Aviation material Body housing-Aluminum-titanium alloy and high strength steel
- 最小操作半径  
Small Operating Radius
- 防止倒退设计，可吸收反弹冲击装置  
Anti-Back Lash Mechanism
- 油压超压释放安全装置  
'Drop Hole' will protect over pressure operating
- 扭力精度：±3%，重复精度：100%  
Torquet Accuracy：±3% Repeatability：100%

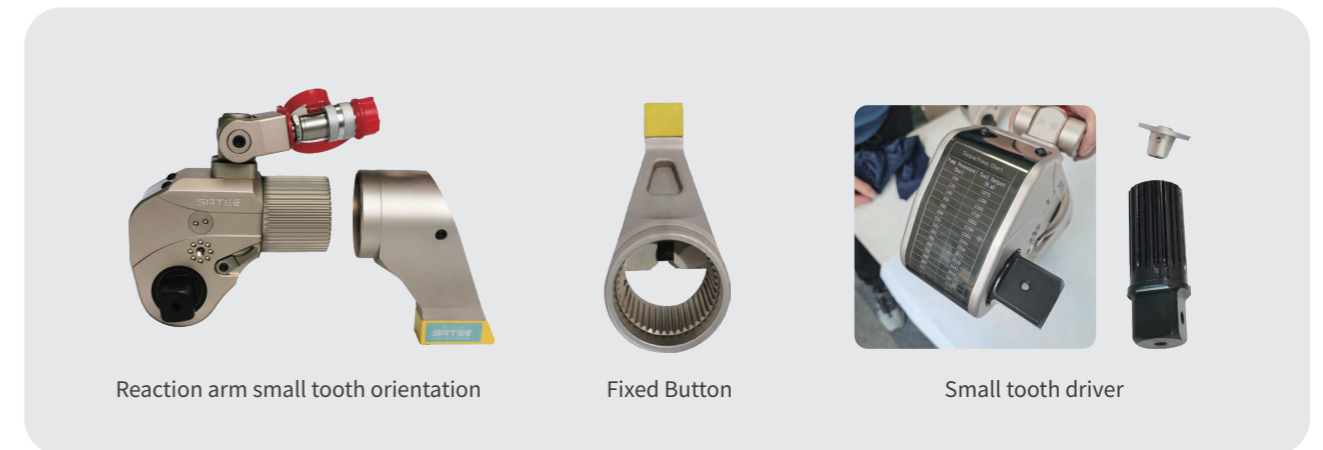


**警告**

**溢油孔**  
预防接头连接不正确或超压使用时，以流出液轴为警告作用。  
Warning wrong couple connect or over pressure which leaking oil.



Model	SA-T07	SA-T1	SA-T3	SA-T5	SA-T8	SA-T10	SA-T15	SA-T20	SA-T25	SA-T35	SA-T50
扭矩范围 (N.m) Torque Range	112-1120	183-1837	451-4512	752-7528	1078-10780	1551-15516	2063-20627	2666-26664	3472-34725	4866-48666	7200-72000
螺栓规格 (M) Bolt size	14-30	16-36	22-48	27-56	30-64	36-72	39-80	42-90	48-100	64-120	72-125
重量 (kg) Weight	1.8	2	4	7	9.1	13.1	21	25	31	45	87
L1	110.8	133.5	169	202.5	216	237.5	285	299.5	313	361.5	400
L2	139.3	185.5	242	271	309	340.5	395	466.5	461	496.5	516
H1	42	50	68	80	90	100	110	120	137	153	160
H2	65.8	72	95	123	134	142	178	183	200	216	223
H3	76.2	95.5	127	149	167	182	200	220	247	282	291
H4	108.1	131	176.5	199	216.5	231.5	250	269.5	296.5	331.5	341
R1	20.5	26	34	39	47	51	55	59	66	77	81
R2	68.3	99	134	137	171	174	222	250.5	250.5	271	259
驱动轴 Square drive	3/4"	3/4"	1"	1-1/2"	1-1/2"	1-1/2"	2-1/2"	2-1/2"	2-1/2"	2-1/2"	2-1/2"



**SAL中空型液压扭矩扳手**  
SAL hollow hydraulic torque wrench



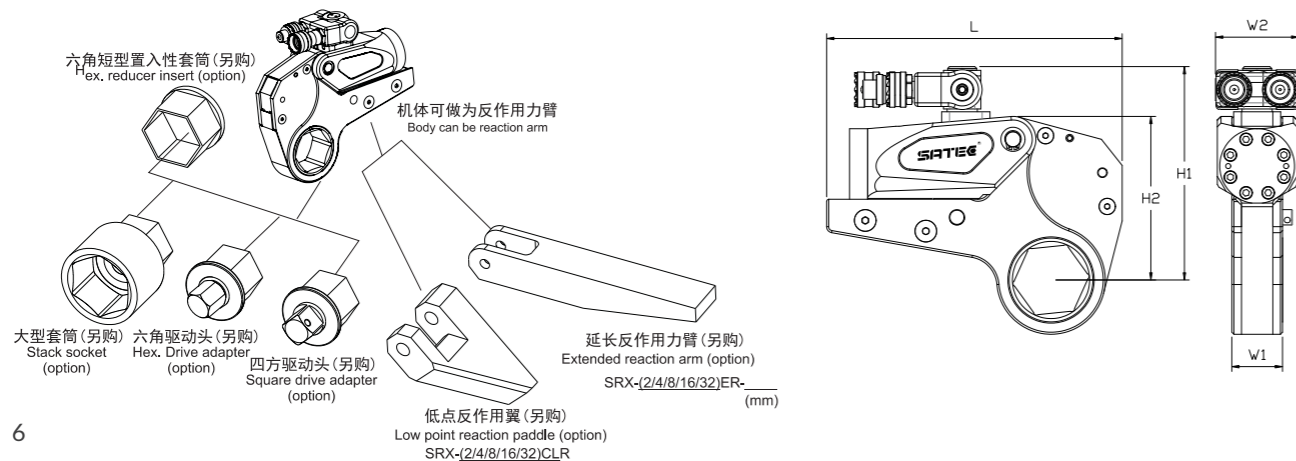
- 机身可作为反作用力臂  
Tool body can be Reaction Arm, easy to work
- 360°×180° 出入口万向旋转  
360°×180° swivel allow movement of duplex hose
- 钢制连接插销，简易更换工作头  
Steel alignment pins connect lower reaction area for added strength
- 油压超压释放安全装置  
"Drop Hole" will protect over pressure operating

- 机体强力合金钢制造，表面防锈处理。内有特殊耐磨铜套，防止磨损卡死  
High strength Alloy steel body, Rust-resistant Finish, Bronze bushing anti galling
- 输出精度：±3%，重复精度：100%  
Output Accuracy: +/- 3% Repeatability: 100%

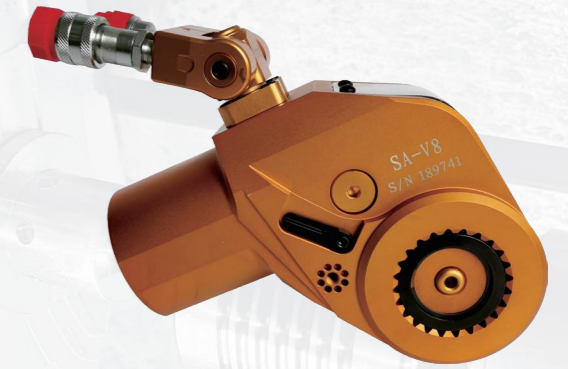


**溢油孔**  
预防接头连接不正确或超压使用时，以流出液压油为警告作用。  
Double-Acting, Hexagon Cassette Wrenches  
Lightweight, Low Profile & Slim Nose Radius

型号 Model	SA-L2		SA-L4		SA-L8		SA-L14	SA-L30	
扭矩范围 N.m / Torque	232-2328	241-2414	585-5858	647-6474	1094-10941	1177-11774	1852-18521	4188-41882	4459-44593
螺母对边 mm / Nut opposite side	19-55	60	34-65	70-80	41-95	100-105	50-117	110-155	160-175
动力头重量 Kg / Power Head Weight	1	1	2	2	3.3	3.3	5.5	11.4	11.4
工作头重量 Kg / Working Head weight	1.6	1.7	4.4	4.6	8	8.4	11.6	29	30
L	196.4	196.4	245	246	300	301	361	430	441
H1	125.9	128.5	177	187	207	216	239	303	315
H2	102.3	105	135.7	145.7	169	178	204	272	285
W1	32	32	42	42	53	53	64	85	85
W2	51	51	66	66	83	83	99	131	131

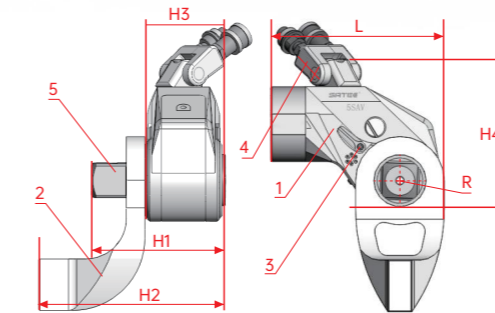


**SAV液压扭矩扳手**  
SAV hydraulic torque wrench



SAV液压扭矩扳手提供最广泛的扭矩输出范围，最大输出超过6800N.m。  
SAV hydraulic torque wrench provides the widest range of torque output, the maximum output exceeds 6800N.m.

- 机身的设计采用一体成型设计、壳体采用超强合金材料制作，重量轻、强度高、耐磨损、所有的转动部件均包裹在壳体中，壳体表面可承载强度达300,000PSI (2068Mpa)。  
The design of the fuselage adopts one-piece molding design, and the shell is made of super-strong alloy material, which is light in weight, high in strength, and wear-resistant. All rotating parts are wrapped in the shell, and the surface of the shell can bear up to 300,000PSI (2068Mpa).



1—本体 3—复位扳机 5—驱动轴  
2—反力臂 4—360°旋转接头

- 驱动轴为同轴双层花键式设计，前反作用力臂与驱动轴沿螺栓轴线相结合，可360°旋转。作用力与反作用力同一轴心，互相抵消无偏载，对机身不产生扭曲力确保集体更安全，寿命更长。  
The drive shaft is a coaxial double-layer spline design, and the front reaction arm is combined with the drive shaft along the bolt axis, which can be 360° rotate. The action and reaction forces have the same axis. There is no unbalanced load to offset each other, and there is no twisting force on the fuselage to ensure that the collective is safer and has a longer life.

型号 Model	SA-V07	SA-V1	SA-V3	SA-V5	SA-V8	SA-V10	SA-V20	SA-V35	SA-V50	SA-V130
最小扭矩 (Nm) / Minimum Torque	156	266	624	1090	1559	2441	3742	6650	9765	26296
最大扭矩 (Nm) / Maximum Torque	1040	1741	4181	7267	10521	15921	24256	43156	62539	187794
精度/Accuracy	±3%	±3%	±3%	±3%	±3%	±3%	±3%	±3%	±3%	±3%
重量 (Kg)/Weight	1.40	2.04	4.32	7.10	9.41	13.24	21.63	37.53	57.92	265.35
驱动轴/Drive Shaft	3/4"	3/4"	1"	1-1/2"	1-1/2"	1-1/2"	2-1/2"	2-1/2"	2-1/2"	3-1/2"
最大拉伸力 (Kn) / Minimum Torque	271	400	787	1027	1450	1601	2513	3509	4359	6672
R(mm)	25.0	28.6	38.1	47.2	52.5	60.3	66.0	81.0	100.3	134.9
L(mm)	105.2	127.9	165.9	187.0	224.20	252.0	295.7	363.4	414.0	577.3
H(mm)	106.9	124.9	160.2	188.2	212.7	236.0	260.6	313.2	356.4	511.6
W(mm)	45.3	55.2	73.7	85.9	98.0	110.5	128.8	165.4	178.8	210.9

**SAP-E2 液压扭矩扳手专用泵**  
Hydraulic Electric/Torque Wrench Pump



- 紧凑设计，三级流量  
Compact, automatic three stage flow
- 适用于二台扳手同步进行 (可选配四台同步工作泵)  
Applicable on two wrenches simultaneously (torque wrench can match with another 4 hydraulic torque wrench work at the sametime)
- 压力在40-700bar平滑调整  
Infinitely variable pressure adjustment between 40-700bar
- 配置用于24小时连续工作  
Configured for continuous operations.
- 不锈钢把手保护架  
Stainless steel handle protector
- 精密压力表  
High precision pressure gauge
- 最热温度为70度  
Max operation heat 70
- 气冷式油温冷却系统  
Heat Exchanger Kit : Design air cooling to avoid pump over t heating and cos dyre pair from long work periods
- 轻量化设计机身，便于携带，重量仅22Kg  
Convenient to bring with its lightweight weight : 22Kg



型号 Model	转速 Rpm (r/min)	马达 Motor kw(hp)	输入 Current/Air	输出压力 Pressure(bar)			流量 Flow rate(L/m in)			油箱容量 Oil tank(L)	可用油量 Usable oil (L)	重量 Weight(kg)	动力源 Power
				L	M	H	L	M	H				
SAP-E2	2800	1.5	220/50(V/Hz)	100	250	700	8.5	2.2	1.1	6	5.5	22	电源 Source

**SAP-E4 液压扭矩扳手专用泵**  
Hydraulic Electric/Torque Wrench Pump

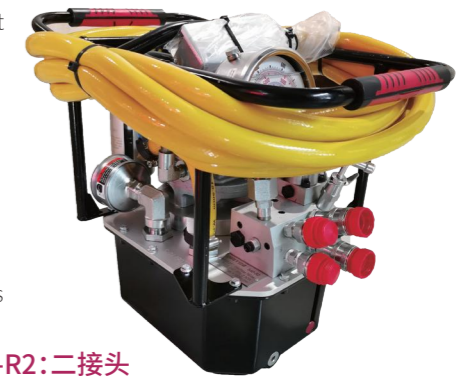
- 紧凑设计，三级流量  
Compact automatic three stage flow
- 适用于四台扳手同步进行 (可选配二台同步工作泵)  
Applicable on four wrenches simultaneously (torque wrench can match with another 2 hydraulic torque wrench work at the sametime)
- 配置用于24小时连续工作  
Configured for continuous operations  
最热温度为70度  
Max operation heat 70
- 铁管式把手保护架  
Tubular steel lifting/protective hoops
- 精密压力表  
High precision pressure gauge
- 压力在40-700bar平滑调整  
Infinitely variable pressure adjustment between 40-700bar
- 气冷式油温冷却系统  
Heat Exchanger Kit: Design air cooling to avoid pump over t heating and costly repair from long work periods



型号 Model	转速 Rpm (r/min)	马达 Motor (kw)	输入 Current/Air	输出压力 Pressure(bar)			流量 Flow rate(L/m in)			油箱容量 Oil tank(L)	可用油量 Usable oil (L)	重量 Weight(kg)	动力源 Power
				L	M	H	L	M	H				
SAP-E4	2800	1.1	220/50(V/Hz)	100	250	700	7	1.6	0.8	8	7	29	电源 Source

**SAP-R2/R4 液压扭矩扳手专用气动泵**  
Hydraulic Electric/Torque Wrench Pump

- 紧凑设计,三级流量  
Compact, automatic three stage flow
- 适用于二/四台扳手同步进行 (可选配四台同步工作泵)  
Applicable on two/four wrenches simultaneously. (torque wrench can match with another 4 hydraulic torque wrench work at the sametime)
- 精密压力表  
High precision pressure gauge
- 压力在40-700bar平滑调整。  
Infinitely variable pressure adjustment between 40-700ba
- 输入气源4-8bar  
Airpres8:4-8bar
- 铁管式把手保护架  
Tubular steel lif ing/protective hoops
- 配置用于24小时连续工作  
Configured for continuous operations



SAP-R2: 二接头  
SAP-R4: 四接头

型号 Model	转速 Rpm (r/min)	马达 Motor (kw)	输入 Current/Air	输出压力 Pressure(bar)			流量 Flow rate(L/m in)			油箱容量 Oil tank(L)	可用油量 Usable oil (L)	重量 Weight(kg)	动力源要求 (流量) Power (Flow)
				L	M	H	L	M	H				
SAP-R2/R4	2800	1.1	4-8 bar	100	250	700	7	1.6	0.8	8	7	20.5	3.6m³/min

**单级液压螺栓拉伸器**  
Single Stage Hydraulic Bolt Tensioner



- 出力179~4476KN  
Output 179~4476KN
- 适用螺栓M16~M100  
Applicable bolt M16~M100
- 最大工作压力1000-1500Bar  
Maximum working pressure 1000-1500Bar

**液压螺栓拉伸器选型表 Selection table of hydraulic bolt tensioner**

型号 Model	适用螺栓 (mm) Applicable Bolts	最大负载 (KN) Maximum Load	尺寸 (mm)/size						重量 (kg) Weight	行程 (mm) Trip
			A	B	C	D	E	F		
SAHTA 16*	M16	179	62	48	23	21	67	76	1.1	10
SAHTA 18*	M18	202	64	50	21	23	69	78	1.3	
SAHTA 20*	M20	212	66	55	23	25	71	80	1.5	
SAHTA 22*	M22	303	74	59	25	27	75	86	1.7	
SAHTA 24	M24	323	78	66	27	29	77	88	2.1	
SAHTA 27	M27	407	85	72	30	31	83	93	2.5	
SAHTA 30	M30	454	90	73	36	34	86	96	3	
SAHTA 33	M33	612	102	85	36	37	91	101	4	
SAHTA 36	M36	768	114	90	43	40	98	109	5	
SAHTA 39	M39	821	120	98	42	43	106	117	5.5	
SAHTA 42	M42	874	126	105	45	45	108	119	6.5	
SAHTA 45	M45	957	132	110	48	48	111	125	7.5	
SAHTA 48	M48	1119	144	120	45	45	116	122	9.5	
SAHTA 52	M52	1328	156	132	55	56	120	134	11	
SAHTA 56	M56	1393	162	138	59	60	129	145	13	
SAHTA 60	M60	1457	168	144	64	64	136	154	15	
SAHTA 54	M54	1696	180	155	63	61	133	151	17	
SAHTA 58	M58	1837	192	170	74	72	144	162	19.5	
SAHTA 72	M72	2226	204	165	76	76	148	166	22.5	
SAHTA 76	M76	2518	216	172	79	79	155	173	25.5	
SAHTA 80	M80	2827	228	183	81	81	157	175	28.5	
SAHTA 85	M85	3254	246	188	90	90	166	189	35	
SAHTA 90	M90	3804	258	208	95	95	180	198	42	
SAHTA 95	M95	3973	270	220	100	100	190	218	52	
SAHTA 100	M100	4476	288	238	105	105	201	223	60	

**多级液压螺栓拉伸器**  
Multi-stage hydraulic bolt tensioner



- 多级缸设计，最大程度增加拉伸长度  
Multi-stage cylinder design to maximize stretching length

- 较小的外径拥有强劲的拉力，适合在狭窄空间适用  
Smaller outer diameter has strong pulling force, suitable for application in narrow spaces

- 700-1500Bar工作压力  
700-1500Bar working pressure

- 弹簧自动回复、拥有过行程保护，适合频繁使用  
The spring returns in vain, with over-travel protection, suitable for frequency purple use

- 可配合高压手动泵、电动增压泵工作  
It can work with high-pressure manual pump and electric booster pump

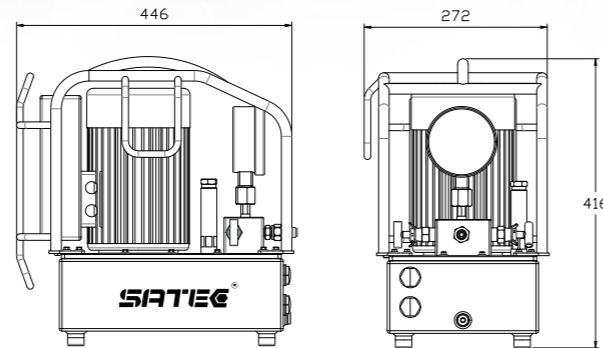


型号/Model	SAHTE 30	SAHTE 36	SAHTE 39	SAHTE 42	SAHTE 48
最大工作压力/ Maximum working pressure	1350bar	1350bar	1350bar	1350bar	1350bar
最大输出拉力/ Maximum out put tension	465KN	680KN	915KN	922KN	1295KN
最大行程/ Maximum stroke	7mm	10mm	10mm	10mm	7mm
油缸作用面积/Working area of oil cylinder	3448mm	5027mm	6830mm	6830mm	9621mm
油缸级数/ Number of cylinders	2	2	2	2	2
外径/External diameter	72mm	84.5mm	98.5mm	98.5mm	129mm
对应螺母/ Corresponding nut	M30×3.5	M36×4	M39×4	M42×4.5	M48×5

**拉伸器电动泵SAHNSP**  
Tensioner electric pump SAHNSP



- 单作用、高性能超高压电动泵，性能稳定  
Single-acting, high-performance ultra-high pressure electric pump with stable performance
- 适用于拥有螺栓拉伸器，造船、风电等现场作业  
Suitable for on-site operations with bolt tensioners, shipbuilding, wind power, etc
- 高精度压力表，便于精确调整压力  
High-precision pressure gauge for precise pressure adjustment
- 在700-3000Bar围内轻松调整输出压力  
Easily adjust the output pressure within the range of 700-3000Bar
- 卡扣式快速接头，操作快捷、方便  
Snap-on quick connector, quick and convenient operation
- 轻量化设计机身，便于携带  
Lightweight design body, easy to carry



型号/Model	SAHNSP06BZT 15-16	SAHNSP06BZT 15-20	SAHNSP06BZT 20-30
动力源/Power source	220V/50HZ	220V/50HZ	220V/50HZ
油缸容积/Oil tank	5.5L	5.5L	5.5L
流量/Flow rate	2.24-0.037L/min	2.24-0.037L/min	2.24-0.032L/min
输出压力/Output pressure	1600bar	2000bar	3000bar
输出接口/Output interface	1/4BSP	1/4BSP	1/4"BSP
功率/Power	1.1KW	1.1KW	1.1KW
重量/Weight	24KG	24KG	24KG

适用油管/Applicable tubing	BH84 系列	BH94 系列
安全系数/最大工作压力 / safety factor/Maximum working pressure	1800bar/2.5	2800bao 2.5
内径 / 外径 (mm)/ Inner diameter/outer diameter	5.0X11.2	5.0X13.4
最小弯曲半径 (mm)/ Minimum bending radius	150	200
适用快速接头/ Applicable quick connector	C116	C125

**拉伸器气动泵SAU**  
Tensioner Pneumatic Pump SAU



**框架式结构**  
Frame structure

SATEC 各种动力装置，适用于对性能和可靠性有严格要求的工业应用。系统中所有部件均能达到高标准的质量要求，使用寿命长，且所有装置均具有以下特性：

A wide range of SATEC power units for industrial applications with stringent demands on performance and reliability. All components in the system meet high standards of quality and have a long service life, and all units have the following characteristics:

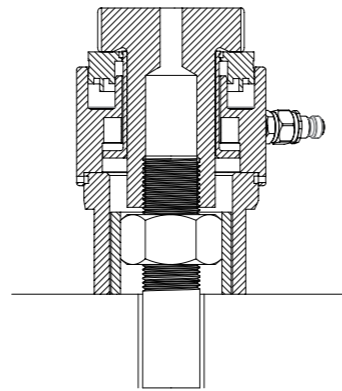
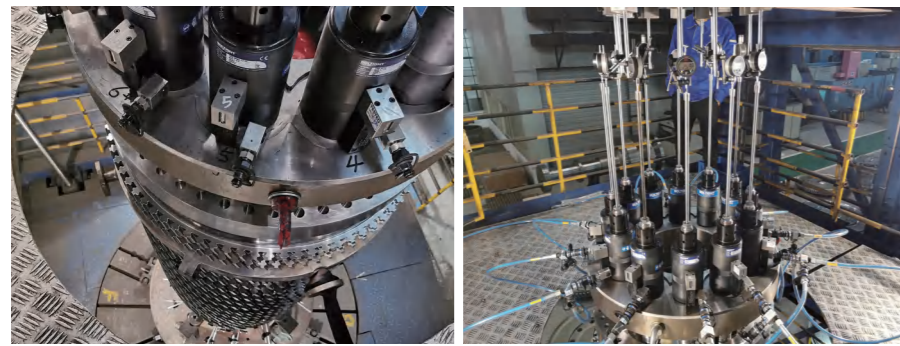
- 压缩空气驱动—安全防爆  
Compressed air drive - safety explosion-proof
- 小巧、便携  
Small and portable
- 当装置达到设定压力时，泵将自动停止工作(不会产生热量)  
When the device reaches the set pressure, the pump will automatically stop working (no heat will be generated)
- 内置安全阀  
Built-in safety valve

型号/Model	SAU300GF	SAU350SF	SAU50DGF
最大工作压力 (bar)/ Maximum working pressure	3000	3000	4000
泵芯/Pump core	G300	S350	G500S
增压比/Boost ratio	1:314	1:350	1:519
零压力流量 (L/min)/ Zero pressure flow	0.65	0.45	0.39
油箱容积 (L)/Oil tank	13	6.5	13
空气输入接口/ Air input interface	1/2"BSP	1/2"BSP	1/2"BSP
高压输出接口/ High voltage output interface	1/4"BSP	1/4"BSP	1/4"BSP
外形尺寸 (mm)/ Overall dimension	510×350×620	400×320×500	510×350×700
重量 (Kg)/Weight	35	17	35

**SATEC 液压螺栓拉伸器同步拉伸装置**  
**SATEC Hydraulic Bolt Tensioner Synchronous Tensioning Device**

根据工业行业需求及企业发展，我公司所研发的液压螺栓拉伸器针对化工、电力、钢铁、机械、军工等行业已达到了进口品牌的工艺标准及技术领域的标准。我公司所有的液压螺栓拉伸器均可根据实际工况需求而特殊定制，如有需求请咨询SATEC工程师。

According to the needs of the industrial industry and the development of the enterprise, the hydraulic bolt tensioner developed by our company has reached the process standards of imported brands and the standards of the technical field for industries such as chemical industry, electric power, steel, machinery, and military industry. All hydraulic bolt tensioners of our company can be specially customized according to actual working conditions. Please consult SATEC engineers if necessary.



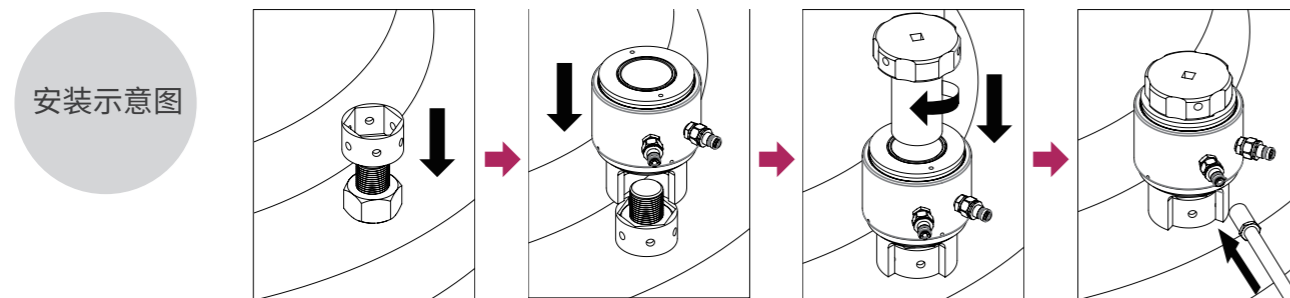
**SATEC 全球范围的 12 字保固承诺：正常使用下，免费保固 12 个月。**

SATEC's worldwide warranty commitment: under normal use, free warranty for 12 months.

敬告 SATEC 用户：只有 SATEC 原厂提供的 SATEC 产品，质量及质保才能获得保证。详情请洽 SATEC。

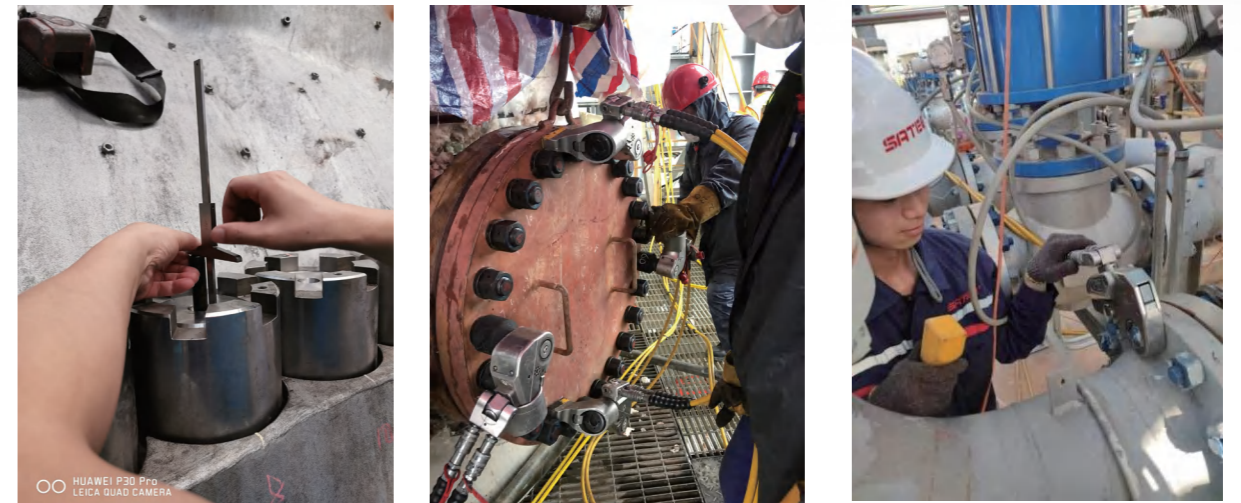
Notice to SATEC users: only the SATEC products provided by the original SATEC factory, the quality and warranty can be guaranteed.

Please contact SATEC for details



**工程案例**

Engineering Cases







**SATEC 赛泰克®**

☎ 400-1028-338

[www.satec-tools.com](http://www.satec-tools.com)

成都分公司

成都市成华区龙绵街1666号  
青龙广场1栋10楼1001

北京分公司

北京市西城区春风胡同4号楼  
4-1幢101室

甘肃联系处

甘肃省酒泉市肃州区飞天路  
37号

新疆联系处

新疆省阿克苏地区库车市东城  
街道生态园高层2单元301