

机械式液压千斤顶

SMC-Series Mechanical & hydraulic jack

超薄平板设计, 适合其它千斤顶不能应用的地方;
轻、薄、短、小, 便于携带;
操作无工作方向限制;
升降高度可精确微调, 精度达0.01mm
一体式螺杆液压机构, 无需额外的油泵及连接油管。

Flat design for use in confined areas where standard cylinders will not fit.
Light, thin, short and small version for easy carrying and designed for use in all positions

Rising and retracting height can do trimming precisely and its accuracy is up to 0.01 mm.

Made in high strength alloy steel to extend strength and life.

Integral screw-rod designed hydraulic configuration without extra oil pumps and hoses.



货号 Model No.	负载(T) Capacity	行程(mm) Lifting.(H)	本体高度(mm) Min.H	外径 cylinder Dia.	重量(kgs) W.T
SMC0525	5T	25	52	52	1.5
SMC1025	10T	25	54	62	2.2
SMC2005	20T	5	35	84	1.9
SMC3005	30T	5	36	95	2.3
SMC5005	50T	5	40	120	3.7

超薄型液压缸

RSM-Series Flat Low Height Cylinder

小巧扁型设计,大吨位有手柄便于搬运,单作用弹簧回缩
Compact, flat design for use where other cylinders will not fit.
High capacity have handle for easy carrying.
Single acting by spring return.



货号 Model No.	负载(T) Capacity	行程(mm) Lifting.H	本体高度(mm) Min.(H)	外径(mm) Cylinder Dia.	液压油容量(cm³) Oil capacity	活塞直径(mm) piston Dia.	重量(kgs) Weight
RSM-50	5T	6	32	58*41	4	25.4	1
RSM-100	10T	12	42	82*55	18	38.1	1.4
RSM-200	20T	11	51	101*76	32	50.8	3.1
RSM-300	30T	13	58	117*95	55	63.4	4.5
RSM-500	50T	16	66	140*114	99	69.8	6.8
RSM-750	75T	16	79	165*139	164	82.6	11.3
RSM-1000	100T	16	85	178*153	203	92.2	14.5
RSM-1500	150T	16	100	215*190	317	114.30	26.3
RSM-2000	200T	30	127	280*245	900	150	51

薄型油缸

LOW PROFILE RLS SERIES CYLINDER

标准的凸型活塞杆(5-30吨)或调心鞍座(50-150吨)使偏心载荷影响减小到最小。
除RLS50外,所有油缸上的接口都向上倾斜以获得额外的空间。
Standard domed piston rod (5-30ton) or swivel cap (50-150ton) minimize effects of off-center loading.

All cylinders are angled upward for extra clearance except the RLS50.



货号 Model No.	负载(T) Capacity	行程(mm) Lifting.(H)	本体高度 (mm) Min.H	油缸外径 (mm) Cylinder Dia.	液压油容量 (cm³) Oil capacity	活塞直径 (mm) Piston Dia.	重量 (kgs) Weight
RLS50	5	14.3	41.3	41.3x65.1	10	15.9	1.0
RLS100	10	11.1	44.5	55.6x82.6	17	19.1	1.5
RLS200	20	11.1	50.8	76.2x101.6	33	28.6	2.5
RLS300	30	12.7	58.7	95.3x114.3	53	34.9	3.9
RLS500S	50	15.9	66.7	114.3x139.7	99	44.5	6.3
RLS750S	75	15.9	79.4	140.5x165.1	163	54.0	10.6
RLS1000S	100	15.9	85.7	152.4x177.8	202	63.5	13.6
RLS1500S	150	14.3	101.6	190.5x215.9	282	76.2	23.8

短型千斤顶

RCS-Series Short Cylinder

重量轻，低高度设计适用于空间小的地方，特别在设备维修和拆装工程中更有优势。

柱塞顶部的螺纹孔可用于安装可倾斜式鞍座。

Light weight low profile design for use confined spaces.

Grooved plunger end with threaded holes for mounting tilt saddles.



货号	负载(T)	行程(mm)	本体高度(mm)	油缸外径(mm)	液压油容量(cm ³)	活塞直径(mm)	重量(kgs)
Model No.	Capacity	Lifting.(H)	Min.H	Cylinder Dia.	Oil capacity	Piston Dia.	Weight
RCS-51	5T	24	67	48	15	25	0.98
RCS-101	10T	38	88	69	55	38.1	4.1
RCS-201	20T	45	98	92	129	50.8	5
RCS-302	30T	62	117	101	261	66.5	6.8
RCS-502	50T	60	122	124	373	69.8	10.9
RCS-1002	100T	57	141	165	722	92.2	22.7
RCS-1502	150T	51	162	205	900	114	38

矮型油缸

SHORT CYLINDER RSS SERIES

带环槽的活塞顶端使载荷不致滑动，油缸在最大行程处也能承受最大载荷，100吨与250吨油缸上配有可以拆装的携带手柄，RSS302, 502, 1002可以加增步垫块，增步垫块的叠加就相当于扩展了油缸的行程，100T行程38.1还有双作用的。

Grooved piston top keeps load from sliding, cylinders can be “dead-ended” at full capacity. Removable carrying handles on 100 ton and 250 ton models, cribbing blocks are used RSS302,502,1002, for expanding stroke, Double acting for 100T, stroke 38.1.



增步垫块在RSS302矮型油缸中使用



增步垫块可使矮型油缸转变为一个机械的支撑装置,可应用于重物移动,同时也起到增加油缸行程的作用。



货号	负载(T)	行程(mm)	本体高度(mm)	油缸外径(mm)	液压油容量(cm ³)		活塞直径(mm)	重量(kgs)
Model No.	Capacity	Lifting.(H)	Min.H	Cylinder Dia.	推(Push)	拉(Pull Back)	Piston Dia.	Weight
RSS101	10	38.1	88.9	69.9	56	-	38.1	2.7
RSS202	20	44.5	95.3	90.5	126	-	54.8	4.5
RSS302	30	61.9	117.5	101.6	259	-	63.5	6.7
RSS502	50	60.3	127.0	123.8	374	-	79.4	10.5
RSS1002	100	57.2	139.7	168.3	725	-	111.1	21.4
RSS1002D+	100	38.1	144.5	174.6	482	212	95.3	24.7
RSS2503	250	76.2	290.5	250.8	2469	-	139.7	99.7



中空单作用铝合金油缸 Aluminium Hollow Cylinder

中空柱塞的设计，适合推及拉力使用，表明经硬化后，其强度增强，铝合金油缸具有重量轻等优点。

Hollow plunger design allows for both pull and push forces, light weight, aluminium design for maximum portability

货号 Model No.	负载(T) Capacity	行程(mm) Stroke	本体高度 (mm) Min.H	油缸外径 (mm) Cylinder Dia.	液压油容量 (cm ³) Oil capacity	中空直径 (mm) Hollow Dia.	重量 (kgs) Weight
RACH202	20T	50	188	100	164	27	5.2
RACH206	20T	150	315	100	491	27	7.1
RACH302	30T	50	208	130	256	34	8.0
RACH306	30T	150	333	130	766	34	11.2
RACH604	60T	100	315	180	847	54	19.5
RACH606	60T	150	380	180	1270	54	22.8
RACH1006	100T	150	391	250	2487	79	46.2



锁牙式铝合金油缸 Lock nut Aluminium Cylinder

柱塞螺牙锁定式的设计，适合长时间支撑荷物并可泄压分离，泵浦可作其他场所使用。

Safety lock nut for mechanical load holding, pump using other place.

货号 Model No.	负载(T) Capacity	行程(mm) Stroke	本体高度 (mm) Min.H	油缸外径 (mm) Cylinder Dia.	液压油容量 (cm ³) Oil capacity	重量 (kgs) Weight
RACL302		50	231	100	221	5.4
RACL304	30T	100	218	100	442	6.1
RACL306		150	331	100	663	6.8
RACL502		50	236	130	354	9.3
RACL504	50T	100	286	130	709	10.6
RACL506		150	336	130	1063	11.9
RACL1002		50	296	180	716	21.9
RACL1004	100T	100	346	180	1431	24.2
RACL1006		150	396	180	2147	26.5
RACL1502		50	323	230	1135	32.2
RACL1504	150T	100	373	230	2270	36.2
RACL1506		150	423	230	3405	40.2



铝VS.钢

铝和钢材的不同，在于铝具较低的金属疲乏。意即铝合金油缸不适用于高重复性使用。所制铝合金千斤顶，在合于规范的压力下设计为可使用 5,000 次之铝合金油缸。所使用的循环次数不得超过上述限制，在正常使用范围内铝合金油缸可提供正常举升动作。

大吨位液压油缸

CLS-series Big Capacity Cylinder

体积小可在有限空间操作，溢流孔兼有限制行程的功能，负载回程。

The body small, it can work under limit space .

Oil overflow port limit stroke

Single acting load return



货号 Model No.	负载(T) Capacity	行程(mm) Stroke	本体高度 (mm) Min.H	油缸外径 (mm) Cylinder Dia.	液压油容量 (cm ³) Oil capacity	重量 (kgs) Weight
CLS502	50T	50	128	125	335	14
CLS504	50T	100	178	125	709	18
CLS506	50T	150	228	125	1064	23
CLS508	50T	200	278	125	1418	28
CLS5010	50T	250	327	125	1773	33
CLS5012	50T	300	378	125	2127	38
CLS1002	100T	50	143	165	664	24
CLS1004	100T	100	193	165	1327	32
CLS1006	100T	150	243	165	1991	40
CLS1008	100T	200	293	165	2654	49
CLS10010	100T	250	343	165	3318	58
CLS10012	100T	300	392	165	3981	66
CLS1502	150T	50	165	205	993	43
CLS1504	150T	100	215	205	1986	55
CLS1506	150T	150	265	205	2979	69
CLS1508	150T	200	315	205	3972	82
CLS1510	150T	250	365	205	4965	95
CLS1512	150T	300	414	205	5958	108
CLS2002	200T	50	193	235	1330	66
CLS2006	200T	150	293	235	3989	101
CLS20012	200T	300	443	235	7977	154
CLS2502	250T	50	193	275	1832	90
CLS2506	250T	150	293	275	5496	137
CLS25012	250T	300	443	275	10996	208
CLS3002	300T	50	235	310	2381	137
CLS3006	300T	150	335	310	6843	198
CLS30012	300T	300	485	310	13710	288
CLS4002	400T	50	265	350	2800	200
CLS4006	400T	150	365	350	8399	275
CLS4012	400T	300	515	350	16770	390
CLS5002	500T	50	295	400	3656	289
CLS5006	500T	150	395	400	10967	390
CLS50012	500T	300	545	400	21900	540
CLS6002	600T	50	310	430	4277	350
CLS6006	600T	150	410	430	12830	465
CLS60012	600T	300	560	430	25710	640
CLS8002	800T	50	355	505	5882	549
CLS5006	800T	150	455	505	17645	709
CLS80012	800T	300	605	505	35370	950
CLS10002	1000T	50	385	560	7329	729
CLS10006	1000T	150	485	560	21986	921
CLS100012	1000T	300	635	560	43950	1210



中空单作用千斤顶 RCH-Series Single Acting Hollow Cylinder

空心柱塞的设计，既可以用于拉力，又可以用于推力，单作用弹簧回缩。
Hollow plunger design allows for both pull and push forces. single acting spring return.
Collar threads for easy fixturing

货号 Model No.	负载(T) Capacity	行程 Lifting.H	本体高度(mm) Min.H	外径 Cylinder Dia.	液压油容量(cm³) Oil capacity	中空直径(mm) Hollow diameter	重量(kgs) Weight
RCH-120	12T	8	55	69	14	19.6	1.5
RCH-121	12T	42	120	69	75	19.6	2.8
RCH-123	12T	76	184	69	136	19.6	4.4
RCH-202	20T	49	162	98	150	26.9	7.7
RCH-206	20T	155	306	98	476	26.9	14.1
RCH-302	30T	64	178	114	298	33.3	10.9
RCH-306	30T	155	330	114	722	33.3	21.8
RCH-603	60T	76	247	159	626	53.8	28.1
RCH-606	60T	153	323	159	1259	53.8	35.4
RCH-1003	100T	76	254	212	1011	79	63

中空式油缸(单作用)

GENERAL HOLE CYLINDERS RH SERIES

10-100 Ton Single-Acting

可互换的活塞端部附件，使其运用更加灵活，除RH120外，所有的油缸都具有一个标准的3/8" NPT母接头，RH203和RHA306型油缸不具有顶部螺纹。

Interchangeable piston head provide versatility of application All cylinder except RH120 are furnished with 3/8"NPT female half coupler.Model RH203 and RHA306 do not feature the collar thread.



货号 Model No.	负载(T) Capacity	行程(mm) Lifting. (H)	本体高度 (mm) Min.H	油缸外径 (mm) Cylinder Dia.	液压油容量 (cm³) Oil capacity	活塞直径 (mm) Piston Dia.	重量 (kgs) Weight
RH102	10	63.5	134.9	76.2	91	52.4	4.1
RH108		203.2	287.3	76.2	290	52.4	8.5
RH120		7.9	55.6	69.9	14	34.9	1.4
RH121	12	41.3	122.2	69.9	74	34.9	3.0
RH121T		41.3	122.2	69.9	74	34.9	3.0
RH123		76.2	184.2	69.9	136	34.9	4.0
RH202		50.8	155.6	98.4	155	54.0	7.3
RH203	20	76.2	154.0	101.6	193	69.9	9.1
RH206		152.4	308.0	98.4	465	54.0	13.7
RH302		63.5	158.8	120.7	260	82.6	11.6
RHA306	30	149.2	283.4	130.2	625	82.6	9.9
RH306		152.4	247.7	120.7	625	82.6	17.7
RH503	50	76.2	181.0	152.4	534	104.8	21.2
RH603*	60	76.2	235.0	158.8	607	91.3	27.2
RH606*		152.4	311.2	158.8	1211	91.3	35.4
RH1003*	100	76.2	254.0	212.7	1014	127.0	52.2

* 配有携带手柄

手动泵：通过手柄的杠杆作用和单向阀门的开闭，产生稳定的增加液体压强效果。

动力泵：用持续转动驱动马达替代手动杠杆如电力、空气或汽油机驱动的马达。

你需要什么类型的液压泵？

手动泵：泵油次数=液压缸容量 (cm³)/每行程输出量 (cm³/行程)

动力泵：时间 (秒)=液压缸容量 (cm³)x0.06/输出流量 (l/min)

一个泵同时操作多个液压缸

液压缸数量=液压泵总储油量 (cm³)/液压缸容量 (cm³)

Portable, durable easy-to-use, our power's large selection of manual pumps makes it easy to find the most effective compact pump.

The solution for tough jobs

轻型手动泵 Light Weight Hand Pump

轻巧紧凑的设计

经久耐用强化工程塑料油箱和尼龙包封的铝质泵体耐腐蚀能力强

双速操作，手柄行程比单速操作时减少78%

Light weight and compact design

Durable glass-filled nylon reservoir and nylon encapsulated aluminium pump base for maximum corrosion resistance

Two-speed operation reduces handle strokes by as much as 78% over single speed pumps



P392

型号 Model No.	可用油量 Usable Oil Capacity (cm ³)	泵的类型 Pump Type	压力等级 Pressure Rating (bar)		每行程排油量 Oil Displacement Per Stroke(cm ³)		手柄操作力 Max. Handle Effort (kg)	活塞行程 Piston Stroke (mm)	重量 Wt. (kgs)
			LP	HP	LP	HP			
P141	327	Single-Speed	0	700	0	0.9	32.7	12.7	2.4
P142	327	Two-Speed	13	700	3.62	0.9	35.4	12.7	5
P391	901	Single-Speed	0	700	0	2.47	38.6	25.4	4.1
P392	901	Two-Speed	14	700	11.26	2.47	42	25.4	6



P39

钢制手动泵 Steel Hand Pump

双速操作,高低压自动切换,内置安全卸压阀,

坚固耐用的全金属结构. 最大工作压力: 70Mpa

Two speed operation for less operator fatigue.

Internal pressure relief valves for overload protection

Max. Pressure: 70Mpa.

型号 Model No.	可用油量 Usable Oil Capacity (cm ³)	泵的类型 Pump Type	压力等级 Pressure Rating (bar)		每行程排油量 Oil Displacement Per Stroke(cm ³)		手柄操作力 Max. Handle Effort (kg)	活塞行程 Piston Stroke (mm)	重量 Wt. (kgs)
			LP	HP	LP	HP			
P39	655	Single-Speed	0	700	0	2.62	50	20.6	11
P40	1000	Two-Speed	14	700	16	2.41	43	25.4	13



P77



P80

钢制手动泵 Steel Hand Pump

双速操作,高低压自动切换,内置安全卸压阀,
坚固耐用的全金属结构. 最大工作压力: 70Mpa
Two speed operation for less operator fatigue.
Internal pressure relief valves for overload protection
Max. Pressure: 70Mpa.

型号 Model No.	可用油量 Usable Oil Capacity (cm ³)	泵的类型 Pump Type	压力等级 Pressure Rating (bar)		每行程排油量 Oil Displacement Per Stroke(cm ³)		手柄操作力 Max. Handle Effort (kg)	活塞行程 Piston Stroke (mm)	重量 Wt. (kgs)
			LP	HP	LP	HP			
P77	770	Two-Speed	14	700	16	2.41	43	25.4	6.8
P80	2200	Two-Speed	25	700	16.22	2.46	47	25.4	15
P801	4080	Two-Speed	25	700	16.22	2.46	47	25.4	20



P55/P59



P59F

钢制手动泵 Steel Hand Pump

双速操作,高低压自动切换,内置安全卸压阀,
坚固耐用的全金属结构. 最大工作压力: 70Mpa
Two speed operation for less operator fatigue.
Internal pressure relief valves for overload protection . Max. Pressure: 70Mpa.

型号 Model No.	可用油量 Usable Oil Capacity (cm ³)	泵的类型 Pump Type	压力等级 Pressure Rating (bar)		每行程排油量 Oil Displacement Per Stroke(cm ³)		手柄操作力 Max. Handle Effort (kg)	活塞行程 Piston Stroke (mm)	重量 Wt. (kgs)
			LP	HP	LP	HP			
P55	738	One-Speed	0	700	/	1.1	66	20.0	9.5
P59	738	Two-Speed	13	700	12.5	2.3	42	25.4	11
P59F	738	Two-Speed	22	700	9	2.1	55	25.4	10



P159



P159D



P300

大容量手动泵 Big Oil Capacity Hand Pump

双速操作,高低压自动切换,内置安全卸压阀,
坚固耐用的全金属结构. 最大工作压力: 70Mpa
Internal pressure relief valves for overload protection
Max. Pressure: 70Mpa.
Rugged all metal construction for strength and durability that
won't burn through in welding environments
Heavy-duty,formed metal handle provides less flex, and less
operator fatigue than round or composite handles



P460

适用油缸 For Cylinder	型号 Model No.	可用油量 Usable Oil Capacity (cm ³)	泵的类型 Pump Type	压力等级 Pressure Rating (bar)		每行程排油量 Oil Displacement Per Stroke(cm ³)		手柄操作力 Max. Handle Effort (kg)	活塞行程 Piston Stroke (mm)	重量 Wt. (kgs)
				LP	HP	LP	HP			
单作用 Single Acting	P159	2245	Two-Speed	22	700	42.6	2.6	64	25.4	15
	P300	5081	Two-Speed	22	700	42.6	2.6	64	25.4	17
	P460	7539	Two-Speed	22	700	120	4.8	41	25.4	28
	P159D	2245	Two-Speed	22	700	42.6	2.6	64	25.4	20
双作用 Double Acting	P300D	5081	Two-Speed	22	700	42.6	2.6	64	25.4	21
	P460D	7539	Two-Speed	22	700	120	4.8	41	25.4	32

手动泵 Hand Pump



油箱容量大，双速操作，方泵，单出口。最大工作压力: 70Mpa
 Large oil capacities to power a wide range of cylinders or tool. Single acting.
 Max. Pressure: 70Mpa.

型号 Model No.	可用油量 Usable Oil Capacity (cm ³)	泵的类型 Pump Type	压力等级 Pressure Rating (bar)		每行程排油量 Oil Displacement Per Stroke(cm ³)		手柄操作力 Max. Handle Effort (kg)	活塞行程 Piston Stroke (mm)	重量 Wt. (kgs)
			LP	HP	LP	HP			
P803	3000	Two-Speed	25	700	16.2	2.46	42	25.4	19
P804	4000	Two-Speed	25	700	16.2	2.46	42	25.4	20
P806	6000	Two-Speed	25	700	16.2	2.46	47	25.4	22
P808	8000	Two-Speed	25	700	16.2	2.46	47	25.4	25
P1010	10000	Two-Speed	25	700	16.2	2.46	47	25.4	28

双向手动泵 Double-acting Hand Pump

方泵，双出口。带手动换向阀。P77D,P84和P464配有4通阀，可用于操作双作用油缸。最大工作压力: 70Mpa

For operation of double-acting cylinder. Large oil capacities to power a wide range of cylinders or tool. Max. Pressure: 70Mpa.



P804D-P1010D

型号 Model No.	可用油量 Usable Oil Capacity (cm ³)	泵的类型 Pump Type	压力等级 Pressure Rating (bar)		每行程排油量 Oil Displacement Per Stroke(cm ³)		手柄操作力 Max. Handle Effort (kg)	活塞行程 Piston Stroke (mm)	重量 Wt. (kgs)
			LP	HP	LP	HP			
P804D	4000	Two-Speed	13	700	16.2	2.46	47	25.4	24
P806D	6000	Two-Speed	13	700	16.2	2.46	47	25.4	25
P808D	8000	Two-Speed	13	700	16.2	2.46	47	25.4	27
P1010D	10000	Two-Speed	13	700	16.2	2.46	47	25.4	30
P77D	2200	Two-Speed	25	700	16.2	2.46	47	25.4	15
P84	2200	Two-Speed	25	700	16.2	2.46	47	25.4	19



P77D



P84

超高压手动泵 Hand Pump

铝合金(OX106A4)/钢制(OX106A4-1)制造，重量轻，强度高。超高压手动泵，最大工作压力达2800Bar。Made of TLTAL alloy steel, light weight, high strength, resistant corrosion. Max. Pressure: 2800Bar.



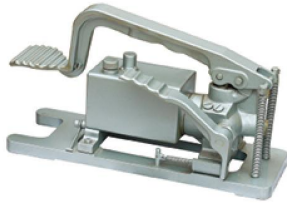
型号 Model No.	最大工作压力 Max. Pressure (Mpa)	可用油量 Usable Oil Capacity (cm ³)	泵的类型 Pump Type	压力等级 Pressure Rating (bar)		每行程排油量 Oil Displacement Per Stroke(cm ³)		手柄操作力 Max. Handle Effort (kg)	活塞行程 Piston Stroke (mm)	重量 Wt. (kgs)
				LP	HP	LP	HP			
7P392	70	1440	Two-Speed	25	700	32	2.5	30	25.4	7.5
7P160	70	3240	Two-Speed	25	700	32	2.5	30	25.4	12
10P392	100	1440	Two-Speed	15	1000	32	2.5	35	25.4	7.5
15P392	150	1440	Two-Speed	15	1500	32	2.5	35	25.4	7.5
20P392	200	1440	Two-Speed	15	2000	32	2.5	40	25.4	7.5
28P392	280	1440	Two-Speed	20	2800	32	2.5	45	25.4	7.5
7P393	70	1440	one-Speed	25	700	32	2.5	30	25.4	11
20P393	200	1440	one-Speed	15	2000	32	2.5	40	25.4	11
28P393	280	1440	one-Speed	20	2800	32	2.5	45	25.4	11



大容量手动泵 Big Oil Capacity Hand Pump

坚固的全金属结构增加了强度及耐用性。大容量油箱适用于多油缸或大吨位油缸操作。P84和P464配有4通阀，可用于操作双作用油缸。Steel reservoir make pump durable. Big oil capacity with big cylinder and multiple cylinder.

型号 Model No.	可用油量 Usable Oil Capacity (cm ³)	泵的类型 Pump Type	压力等级 Pressure Rating (bar)		每行程排油量 Oil Displacement Per Stroke(cm ³)		柱塞行程 (mm)	重量 weight (kg)
			LP	HP	LP	HP		
P462	7423	Two-Speed	14	700	126	4.75	38.1	28
P464	7423	Two-Speed	14	700	126	4.75	38.1	32



脚踏液压泵 Light Duty Foot Pump

钢制框架设计提高稳定性；钢制手柄；操作时手可以自由使用；大卸荷脚踏板易于控制负载缓慢下放。油箱上有通气孔，利于泵更好地吸油。Steel frame design upgrade steady. Steel handle. Work with foot, hand can work freely.

型号 Model No.	可用油量 Usable Oil Capacity (cm ³)	泵的类型 Pump Type	压力等级 Pressure Rating (bar)		每行程排油量 Oil Displacement Per Stroke(cm ³)		最大操作力 (N)	柱塞行程 (mm)	重量 weight (kg)
			LP	HP	LP	HP			
FP-50	492	Single-Speed	15	700	11	2.47	420	25.4	15



水压泵 Water Pump

用于水压试验和需要高水压的用途。作为心脏部的泵体采用不锈钢锻造而成。具有超群的耐久性。可以用于自来水和油。For testing water pressure. The heart pump made by stainless steel. Both water and oil can be used.

型号 Model No.	可用油量 Usable Oil Capacity (cm ³)	泵的类型 Pump Type	压力等级 Pressure Rating (bar)		每行程排油量 Oil Displacement Per Stroke(cm ³)		重量 weight (kg)
			LP	HP	LP	HP	
WP-0.7	0.7	Two-Speed	10	700	11	2	6.3



手动测压泵 Hydraulic Test Pump

工作压力高达 1000Bar；适宜于使用多种流体；双级流量，半自动压力转换。HTP 系列手动操作双速液压泵能使用多种流体，包括水。由于主要使用了高质量的铝合金，HTP 系列手动测压泵重量很轻并且具多用途。轻质铝合金设计，带不锈钢活塞；针式压力释放阀，能精确控制压力；可替换阀座；标准 15 升不锈钢油箱；可选压力表座。

HTP series of manually operated two speed hydraulic pumps are suitable for use with a wide variety of fluids including water. Manufactured predominantly from high quality aluminium alloy, with stainless steel piston assemblies, the HTP pump series are lightweight, versatile and robust. Large oil capacities to power a wide range of cylinders or tool. Max. Pressure: 100Mpa.

型号 (带油箱) Model No.	泵的类型 Pump Type	工作压力 Working Pressure (bar)	每行程排油量 Oil Displacement Per Stroke(cm ³)		转换压力 Pressure Convert (bar)	出口尺寸 Size NPT	吸油口尺寸 Size BSP	重量 weight (kg)
			LP	HP				
HTP100	Two-Speed	100	49	20	20	3/8"	3/8"	20
HTP300	Two-Speed	300	49	7	20	3/8"	3/8"	20
HTP500	Two-Speed	500	49	4	20	3/8"	3/8"	20
HTP700	Two-Speed	700	49	3	20	3/8"	3/8"	20
HTP1000	Two-Speed	1000	49	2	20	3/8"	3/8"	20

气动液压泵 Air Powered Hydraulic Pumps

适用于气源作为首选动力的作业场所，理想用于石化、矿山或者其他易燃易爆环境。坚固的结构，经久耐用且维修方便。低耗气量、低运行成本。内置安全阀用于过载保护。直接接空气压缩机使用。可以方便的用手或用脚操作踏板来控制空气和阀。

Air Powered Hydraulic Pumps are used where air is the preferred energy source or where electricity is not available. Ideal for use in petrochemical, mines or other inflammable or explosive environments. Rugged construction—built for Long life and easy service. Controls the input air and valve by foot pedal, easier to operate than a hand pump. Operates in all positions for increased versatility in use. Ideal for powering single—acting cylinders and portable hydraulic tools.



型号 Model No.	可用油量 Usable Oil Capacity (cm ³)	输出压力 Output Pressure (bar/psi)	所需空气压力 Air supply required (bar/psi)	包装尺寸 Packing size (cm)	重量 weight (kg)
AHP-70AQ	690	700/10000	8/120	37×18×19	8.9
AHP-70BQ	1700	700/10000	8/120	28×15×20	8.1

电动泵站 Power Pack Pump

德国哈威液压扳手专用泵。电动（220v）双级电动泵，内置旁通回路。调整溢流阀设定精确扭矩，重复精度高。遥控拖线板，安全控制按钮，适合单人操作。

HAWE Germany special for hydraulic wrench.



型号 Model No.	可用油量 Usable Oil Capacity (L)	泵的类型 Pump Type	压力等级 Pressure Rating (bar)		每行程排油量 Oil Displacement Per Stroke(cm ³)		遥控线 Remote control wire (m)	电源 Power	重量 weight (kg)
			LP	HP	LP	HP			
RP-A	4.2	Two-Speed	70	700	10	0.7	5m	220v/50Hz	26

单作用电动泵站 Single Acting Power Pack Pump

单出口双速轴向柱塞泵 Single acting double speed draft pump



(A)



(B)

型号 Model No.	可用油量 Usable Oil Capacity (L)	泵的类型 Pump Type	压力等级 Pressure Rating (bar)		每行程排油量 Oil Displacement Per Stroke(cm ³)		电机功率 Power kw	电源 Power v	重量 weight (kg)
			LP	HP	LP	HP			
PE8DS	8L	Two-Speed	70	700	4	0.5	0.75	220	20
PE12DS	12L	Two-Speed	70	700	6	1	1.5	380/220	29
PE30DS	30L	Two-Speed	70	700	6	1	2.2	380/220	45

双作用电动泵站 Double Acting Power Pack Pump

双出口双速轴向柱塞泵 Double acting double speed draft pump



(A)



(B)



(C)
带风冷
With Colding

型号 Model No.	可用油量 Usable Oil Capacity (L)	泵的类型 Pump Type	压力等级 Pressure Rating (bar)		每行程排油量 Oil Displacement Per Stroke(cm ³)		电机功率 Power kw	电源 Power v	重量 weight (kg)
			LP	HP	LP	HP			
PE12DD	12L	Two-Speed	70	700	6	1	1.5	380/220	29
PE30DD	30L	Two-Speed	70	700	6	1	2.2	380/220	45
PE50DD	50L	Two-Speed	70	700	6	1	4	380/220	60

硅油填充型压力表 Glycerin Filled Hydraulic Pressure Gauge

标准双刻度显示Psi和Mpa。
所有的压力传感部件都用硅油密封与防潮，
保证经久耐用。
包括安全密封圈与等压膜。

Standard calibration with dual scale reading for psi and bar.
All the pressure-sensing components are sealed with glycerin
and damp proof to guarantee durability.
Including a safety seal ring and equal pressure film.




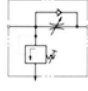

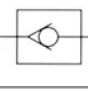

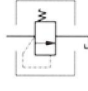

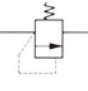
型号 Model Number	表面尺寸 Face Diameter (mm)	压口表接口 Port	量程 Pressure Range (Mpa)
GN067	63	1/4"NPT	0~70
GN0610	63	1/4"NPT	0~100
GN1010	100	1/2"BSP	0~100
GN1016	100	1/2"BSP	0~160
GN1020	100	1/2"BSP	0~200
GN1025	100	1/2"BSP	0~250
GN1030	100	1/2"BSP	0~300

常用超高压系统元件 System Component:

所有阀的额定工作压力为700Bar;管装式阀采用NPT接口，防止在额定压力下泄漏

The rated working pressure of all the valves is 700bar; hose fitted valve adopts NPT ports to avoid leakage under rated pressure.

阀类型与型号 Valve Type and Model Number	描述 Description	应用 Application	液压符号 Hydraulic Symbol
电磁控制模块阀 VGS2 VG3 VGZ3 VGZ4	   无与伦比的组合性，用一定数量的相同或不同机能的阀块组合，实现各种控制方法。多液压缸或多功能独立控制理想的选择。该阀只要装上底板，即可成为管接式阀，而且还可在底板上选装其它机能的阀（如：限压阀或旁通单向阀，来进一步扩大其应用范围）。 These valves may be directly installed in pipe systems, when equipped with sub plates enabling pipe connection. Many optional functions can be incorporated in these sub-plates	单作用的液压泵 Single-acting Hydraulic Pump 双作用的液压泵 Double-acting Hydraulic Pump 双作用的液压泵 Double-acting Hydraulic Pump	  
截止式换向阀 VH1	 一种无泄漏的钢球截止阀。手柄操纵的偏心轴控制着移动钢球位置的推杆，用以控制双作用油路的进程/锁定/回程操作 The directional-seated valves types operate leakage free. They are operated via a hand lever on an eccentric shaft transferring the switching moment to an actuation pin acting on the valve elements(balls), for oil outlet, shut-off, retraction.	双作用的液压泵 Double-acting Hydraulic Pump	
模块式截止阀 IV4	 主要装在泵上与基板模块一起组成系统。为单作用液压缸一起提供锁定/回程操作。 Operated in the pump with model to use for shut-off, reaction.	单作用的液压泵 Single-acting Hydraulic Pump	
节流阀 V-82 Hydraulic in-line	 控制液压缸速度，也作为截止阀用以暂时锁定负载。可用与多只液压缸同时工作的液压调整。 3/8" NPT母接口 To control cylinder speed Can also be used as shut-off valve for temporary load holding 3/8 NPTF female ports.	单作用的液压泵 Single-acting Hydraulic Pump 双作用的液压泵 Double-acting Hydraulic Pump	

阀类型与型号 Valve Type and Model Number	描述 Description	应用 Application	液压符号 Hydraulic Symbol
手动操作单向阀 V-66 Hand operated one way valves	 <p>用来与单或双作用液压缸一起锁定负载，液压缸回程时手动将阀打开，让油流回油箱。 Used for load holding applications with single and double acting cylinders. Valve is manually opened to allow oil to flow back to tank when cylinder retracts</p>	单作用的液压缸 Single-acting Hydraulic Pump 双作用的液压缸 Double-acting Hydraulic Pump	
液控单向阀 V-42 Hydraulic control one way valves	 <p>可以安装在液压缸上。主要与大吨位双作用液压缸上一起使用，液压缸上的液压控制口从液压缸回路上接受压力，用以在系统失压的情况下锁定负载。 To hold the load in case of system pressure loss.</p>	双作用的液压缸 Double-acting Hydraulic Pump	
限压阀 MV4 Control pressure valves	 <p>限压阀在液压系统中主要控制压力，防止液压系统超过最大允许压力或调整工作压力。 Safe guarding the system against excessive pressure or for the limitation of working pressure.</p>	电动液压泵 限压 调压 Electric Pump	
安全阀 BF2 Safety valve	 <p>用于油缸或管路中起限压作用。 For the limitation of working pressure.</p>	双作用的液压缸 Double-acting Hydraulic Pump	



安全防护网
Safety Net
SN3T-500T



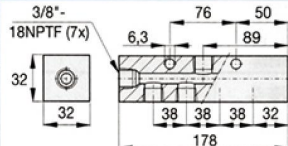
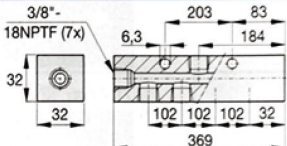
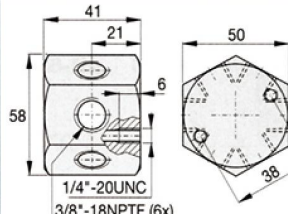
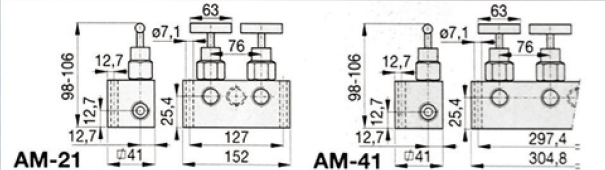
手动换向阀
Hand operated change direction valves
HV



电磁换向阀
Solenoid valves
SV-D



3位四通阀
4-way, 3-position valves 4-3-V

产品描述 Hydraulic Manifold	型号	尺寸(mm)
178mm长、带7个母接口的油路块	A-64	
369mm长的油路块在其上直接安装控制阀。带7个内螺纹接口。堵头，0.38NPTF。	A-65	
6接口六角形油路块,所有的3/8"-18NPTF油口都配有堵头。	A-66	
分流节流油路块 功能为以分流阀门可控制2个或4个单作用油缸同步。油口均为3/8"-18NPTF。 AM-21带5个3/8" NPTF接口 AM-41带7个3/8" NPTF接口	AM-21 AM-41	

各种转换接头

名称 Fitting		型号	尺寸(mm)				Diagram	
			A	B	C	D		
直角管接头			FZ-1616	23	33	3/8"-18 NPTF	3/8"-18 NPTF	
从:	3/8"-NPT 雄							
到:	3/8"-NPT 雌							
变径接头			FZ-1615	28	25	3/8"-18 NPTF	1/4"-18 NPTF	
从:	3/8"-NPT 雌							
到:	1/4"-NPT 雌							
直通接头			FZ-1608	38	16	1/4"-18 NPTF	1/4"-18 NPTF	
从:	1/4"-NPT							
到:	1/4"-NPT							
直通接头			FZ-1619	51	19	3/8"-18 NPTF	3/8"-18 NPTF	
从:	3/8"-NPT							
到:	3/8"-NPT							
直通接头			FZ-1617	37	19	3/8"-18 NPTF	3/8"-18 NPTF	
从:	3/8"-NPT							
到:	3/8"-NPT							
四通接头			FZ-1613	45	25	3/8"-18NPTF	-	
从:	3/8"-NPT 雌							
到:	3/8"-NPT 雌							
三通接头			FZ-1612	45	25	3/8"-18 NPTF	-	
从:	3/8"-NPT							
到:	3/8"-NPT							
三通接头			FZ-1637	45	24	1/4"-18 NPTF	-	
从:	1/4"-NPT							
到:	1/4"-NPT							
三通接头			BFZ-16312	57	25	3/8"-18 NPTF	-	
从:	3/8"-NPT							
到:	3/8"-NPT							
直角管接头			FZ-1610	33	20	3/8"-18 NPTF	-	
从:	3/8"-NPT							
到:	3/8"-NPT							
直角管接头			FZ-1638	36	24	1/4"-18 NPTF	-	
从:	1/4"-NPT							
到:	1/4"-NPT							
变径接头			FZ-1630	19	19	1/4"-18 NPTF	3/8"-18 NPTF	
从:	3/8"-NPT							
到:	1/4"-NPT							
变径接头			BFZ-1630	28	22	1/4"-18 NPTF	1/2"-14 NPTF	
从:	1/4"-NPT							
到:	1/2"-NPT							
变径接头			BFZ-16301	19	19	G 1/4"	3/8"-18 NPTF	
从:	3/8"-NPT							
到:	G 1/4"							
变径接头			BFZ-16411	35	19	1/4"-18 NPTF	G 1/4"	
从:	G 1/4"							
到:	1/4"-NPT							
变径接头			BFZ-16421	31	19	1/8"-27 NPTF	G 1/4"	
从:	G 1/4"							
到:	1/8"-NPT							
变径接头			BFZ-16323	43	24	1/4"-18 NPTF	G 3/8"	
从:	G 3/8"							
到:	1/4"-NPT							
变径接头			BFZ-16324	43	24	3/8"-18 NPTF	G 3/8"	
从:	G 3/8"							
到:	3/8"-NPT							
变径接头			BFZ-16322	47	24	3/8"-18 NPTF	M14 x 1,5	
从:	M14 x 1,5							
到:	3/8"-NPT							
变径接头			FZ-1055	44	23	1/4"-18 NPTF	3/8"-18 NPTF	
从:	1/4"-NPT							
到:	3/8"-NPT							
变径接头			FZ-1642	30	19	1/8"-27 NPTF	1/4"-18 NPTF	
从:	1/4"-NPT							
到:	1/8"-NPT							
变径接头			FZ-1634	42	28	3/8"-18 NPTF	1/2"-14 NPTF	
从:	1/2"-NPT							
到:	3/8"-NPT							
旋转接头			FZ-1660	40	22	3/8"-18 NPTF	1/2"-14 NPTF	
从:	3/8"-NPT 雄							
到:	3/8"-NPT 雌							

1、千斤顶
Cylinder

2、手动泵
Hand Pump

3、压力表
Gauge

4、软管
Hoses

5、表座
Gauge Adaptors

6、快速接头 (凸)
Quick Coupler (Male)

7、快速接头 (凹)
Quick Coupler (Female)

8、分配器
Manifolds

9、节流阀
Flow Control Valve

10、接头
Fitting

11、电动泵
Electric Pump

12、手动单向阀
Manual Control Single Check Valve

