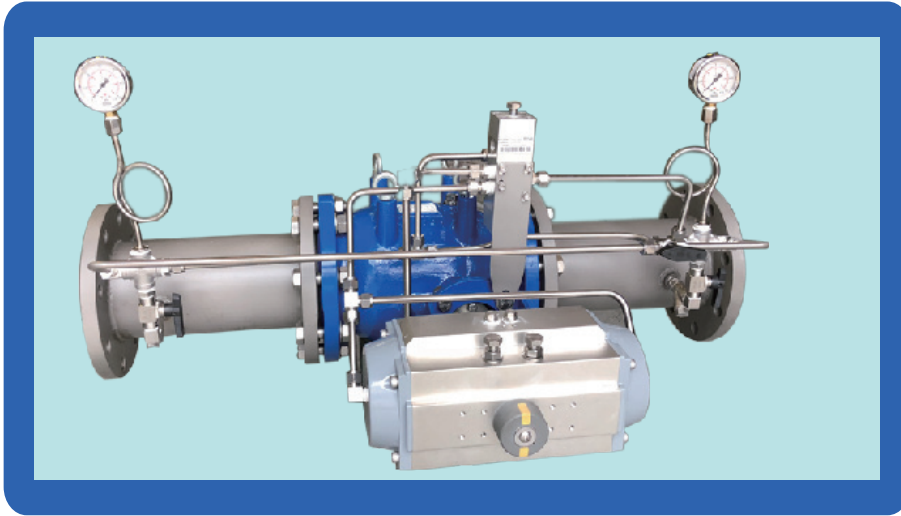


SATTEC®

智慧调节阀

Smart Control Valve



应用领域 Application Field

- 长输水压力流量调节
- 管网压力流量调节
- 坝底排放
- Long distance water transmission pressure regulation
- Pipe network pressure regulation
- Dam bottom discharge

主要材质 Material

- 阀体：球墨铸铁 EN-JS1030 (GGG-40)
- 导轨：铝青铜堆焊
- 活塞：不锈钢 1.4301
- 阀门密封圈：EPDM
- 内部组件：不锈钢
- 螺栓：不锈钢 A4
- 轴套：黄铜
- 吊环：镀锌钢 1.0401(C15)
- 液压缸主体：铝合金
- 换向阀：铝合金
- 延长管：碳钢
- 连接管：铜
- Body: ductile iron EN-JS1030 (GGG-40)
- Guide: aluminum brass welding
- Piston: stainless steel 1.4301
- Valve seal: EPDM
- Internal components: stainless steel
- Bolt: stainless steel A4
- Bushings: bronze
- Eye bolts : galvanized steel 1.0401(C15)
- Hydraulic cylinder body: aluminum alloy
- Pilot valve: aluminum alloy
- Extension pipe: carbon steel with EPOXY coating
- Connecting pipe: copper

防腐保护 Corrosion Protection

- 内外喷涂环氧树脂
- 涂层厚度 $\geq 250\mu\text{m}$
- 符合 GSK 标准
- Epoxy coating
- Coating thickness $\geq 250\mu\text{m}$
- Meet the GSK standard

产品优点 Advantage

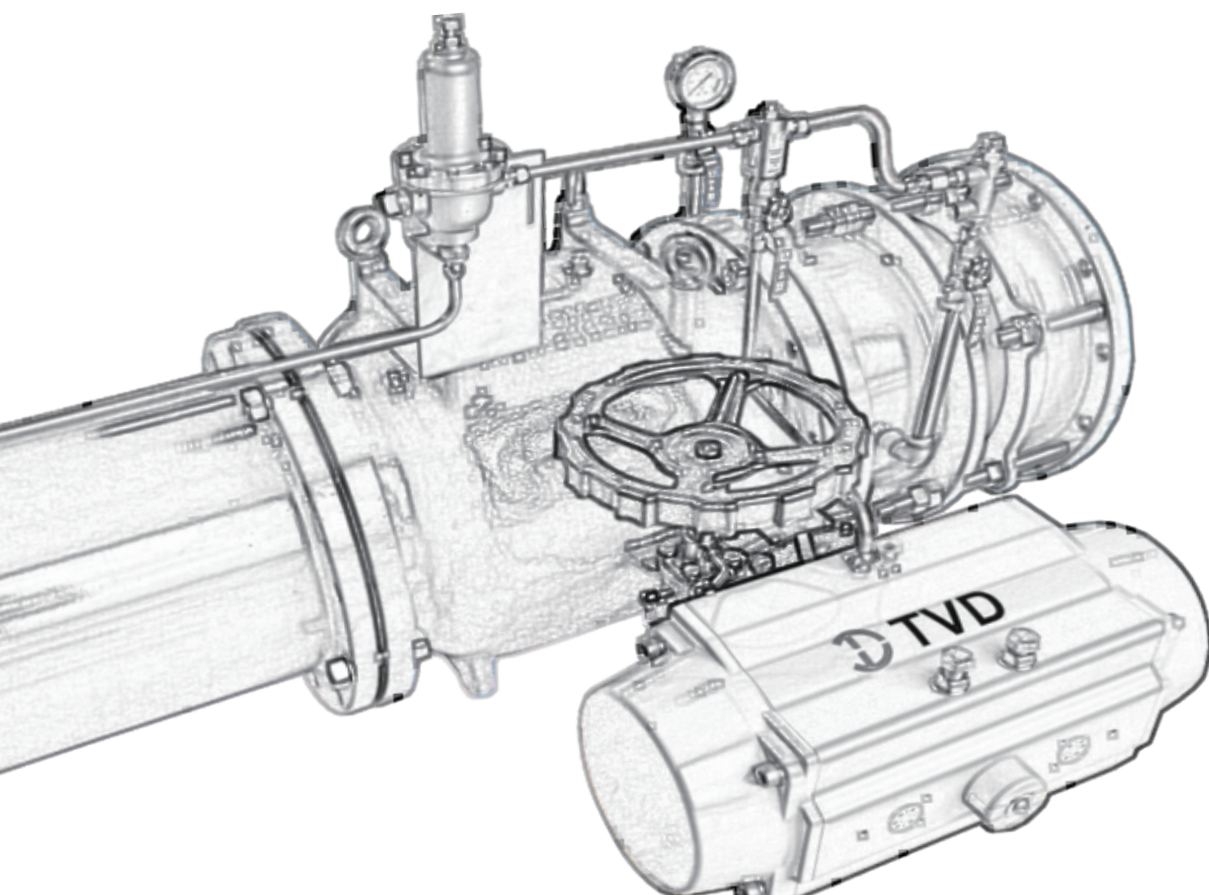
- 无外界动力驱动
- 低流阻
- 调节范围大
- 无气蚀
- 较低的运营成本
- No external driving power needed
- Low flow resistance
- Wide modulating range
- Anti-cavitation design
- Lower operation cost

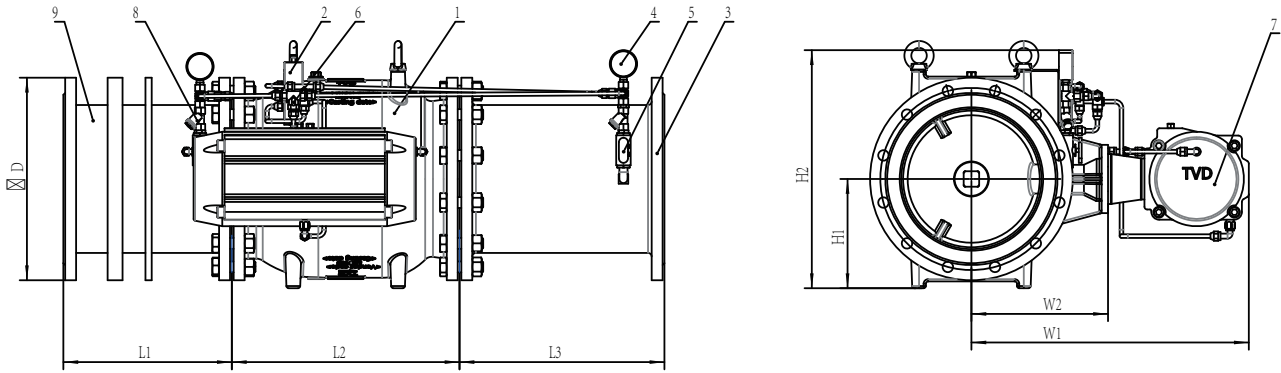


产品特性 Features

- 流线形流道，保持阀后流态压力稳定
- 流量调节范围大
- 自带伸缩节，减少安装，拆卸方便
- 阀前后压力目视化监测
- 维护简单，运行可靠
- 阀门活塞受力平衡，操作扭矩小
- 流体截面环状对称
- 根据工况可定制出口部件
- 阀体内的黄铜堆焊导向条，耐磨损，耐腐蚀
- 配合本公司的无线控制器（可选），可实现远程无线控制
- 水质较差时，可选装定时反冲过滤器，防止控制回路阻塞

- Simple flow passage, keep flow stability
- Wide pressure modulating range
- With mounting joints, installation simplified
- Pressure gauge installed before and after the valve
- Maintenance simply, reliable operation
- The balanced force on the piston, lower operating torque
- The symmetry annular fluid section
- Modulating part can be customized
- Over lay welded guide, high corrosion resistance, low sliding friction
- With TVD wireless controller (optional), remote wireless control can be realized
- For raw water or high solid content water application, filter with timing back flash function is available to prevent controlling system from jam





外形参考尺寸
Outline Dimensions (mm)

DN	L1	L2	L3	D	W1	W2	H1	H2
150	340	225	350	EN1092-2	515	225	155	685
200	340	300	400	EN1092-2	565	275	190	800
250	340	375	450	EN1092-2	667	300	230	895
300	370	450	500	EN1092-2	644	300	240	915
350	370	525	550	EN1092-2	695	350	300	1035
400	370	600	600	EN1092-2	792	410	355	1145
500	370	750	650	EN1092-2	881	475	385	1205
600	370	900	900	EN1092-2	790	500	460	1160
700	370	1050	1050	EN1092-2	940	650	520	1220
800	600	1200	1200	EN1092-2	940	650	600	1300
900	600	1350	1350	EN1092-2	1015	725	650	1350
1000	600	1500	1500	EN1092-2	1090	800	720	1420
1200	600	1800	1800	EN1092-2	1240	950	850	1550
1400	640	2100	2100	EN1092-2	1719	1100	1000	2230
1600	640	2500	2400	EN1092-2	1640	1350	1200	1900
1800	640	2700	2700	EN1092-2	2398	1560	1280	1682
2000	640	3000	3000	EN1092-2	2398	1560	1400	1852

No.	Description	描述
1	Connecting pipe	连接管道
2	Ball valve	球阀
3	Pressure gauge	压力表
4	Plunge valve	活塞
5	Guide valve	导阀
6	Needle valve	针阀
7	Throttle valve	截止阀
8	Filter	过滤器
9	Expansion joint	传力接头
10	Gearbox	齿轮箱
11	Cylinder	活塞

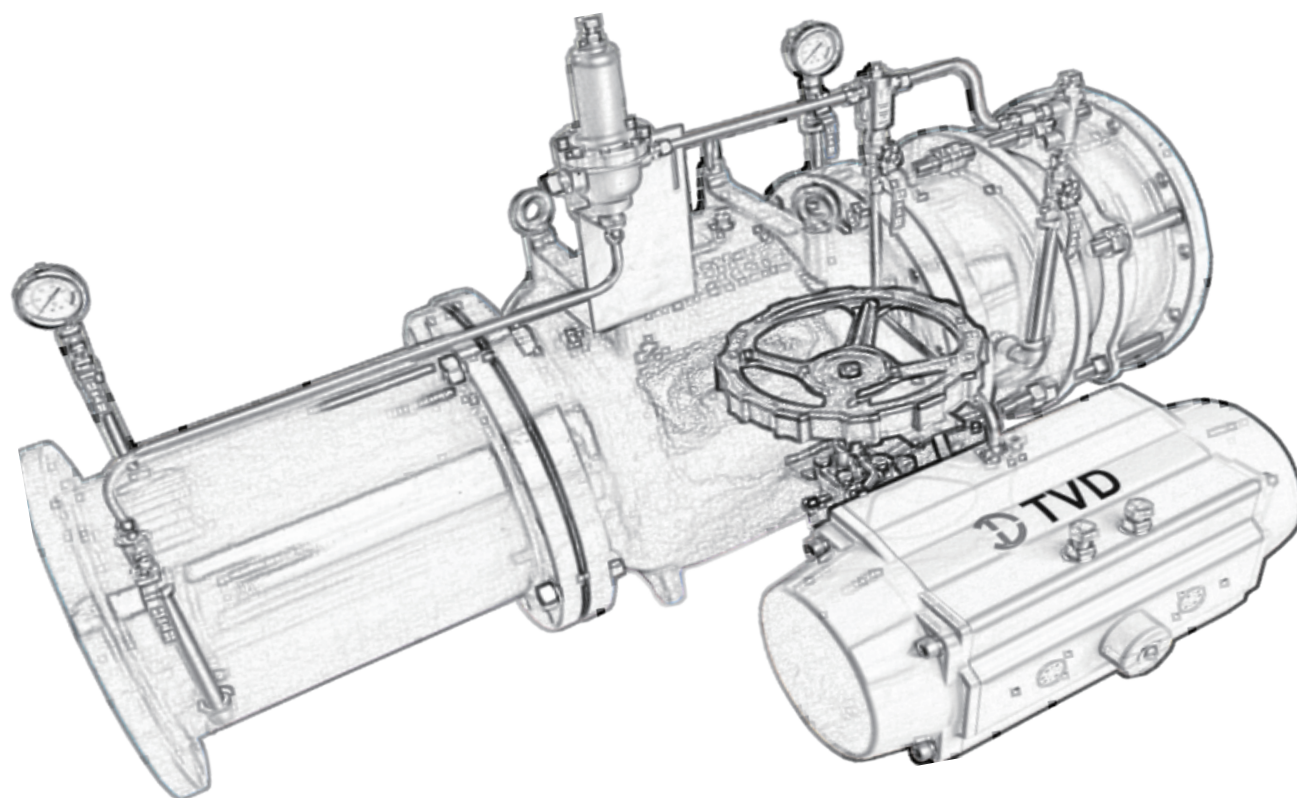
注：设计可能会不断改善，实际产品以供货为准，阀前阀后的管道长度可定制

Note: the actual product may vary from the drawing above due to the continuous improvement of design. The length of the pipe before and behind the valve can be customized

出厂检测标准 (符合 EN12266 标准)

Test standards: EN12266

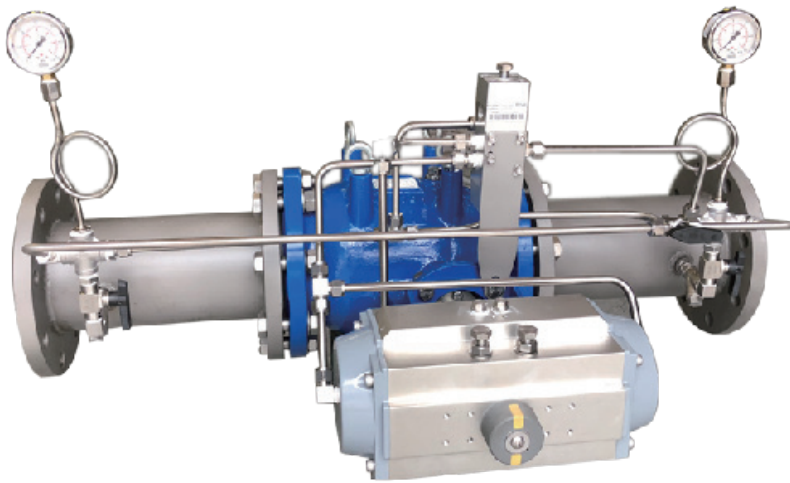
公称直径 DN	公称压力 PN	最高工作压力 Maximum operating pressure [bar]	中性液体最高工作温度 Maximum operating temperature for neutral liquid [°C]	壳体强度测试 Shell strength test Test pressure [bar]	密封测试 Tightness test Test pressure [bar]
100-1200	40	40	50	60	44
100-2000	25	25	50	37.5	28
100-2000	16	16	50	24	18
100-2000	10	10	50	15	11



基本型 Basic Type

轴流式调节，无外接能源驱动
全开时水头损失小
控制精度高，调节范围大
自清洁过滤装置
在大压差，低流速下，可正常工作

Axial-flow type control, no need of external power to operate
Low water head loss during fully open
Wide range of regulation, Accurate control
Self-cleaning filter system
Work properly under large pressure differential and low velocity

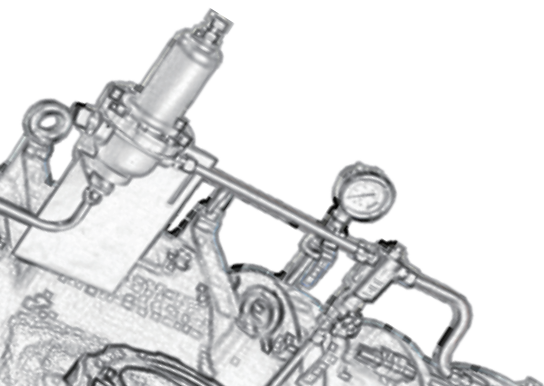


智能型 Smart Type

远程监控、自主管线压力调节
通信方式兼容GPRS/NBLoT/eMTC
控制器由电池供电，可持续供电2年以上
可监测管道流量，紧急应对各种爆管事故
定期上传阀门工作数据及报警提示
就地、远程设定阀门基本参数
IP68防水等级

Remote control. Self-pressure regulation
Multiple communication method: GPRS/NBLoT/eMTC
Over 2 years sustained operation life time with special battery for controller
Real-time flow monitoring, Emergency response for any pipe burst accident
Upload flow data and the alarm information regularly
Parameter setting with local and remote option
IP68 grade







赛泰克（成都）工业设备有限公司

地址：四川省成都市成华区龙绵街1666号1栋1单元1001

电话：400-1028-338