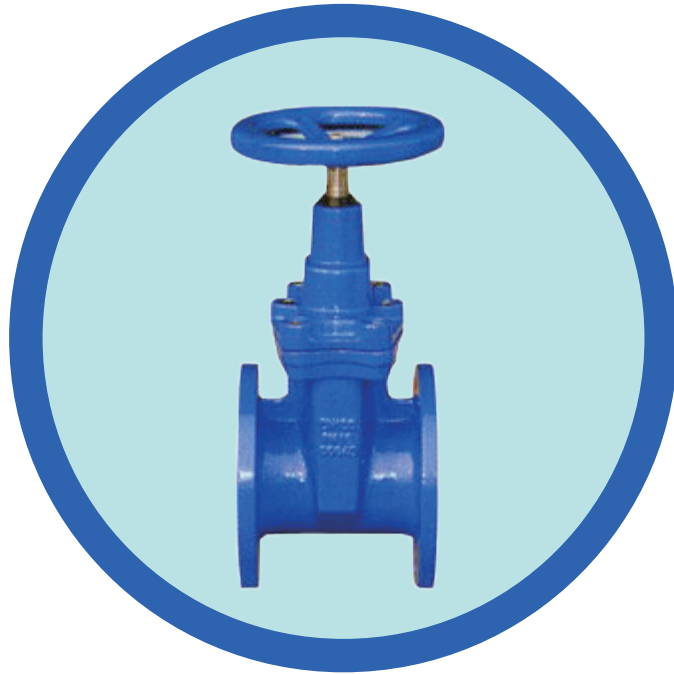


**SATTEC**®

闸阀

Gate Valve



## 产品特性 Features

- 软密封阀座符合 EN 1074(DIN 3352-A4)
- 法兰面间距离符合 EN-558-1, 基本系列 14 (DIN3202,F4)
- 两端法兰符合 EN1092-2 标准
- 楔块两侧有向滑块, 操作扭矩小
- 带三个 O 型密封圈
- 适合用于真空低于 90% 的工况
- Resilient wedge acc.to EN 1074(DIN 3352-A4)
- The distance between the flanges: EN-558-1, basic series 14(DIN3202,F4)
- Both ends of the flange comply with EN1092-2 standard
- Low operating torque thanks to the guide slides on the both sides of the wedge
- With three O-rings
- Suitable for the working conditions of vacuum degree less than 90%

## 驱动方式 Operation

- 配备手轮
- 电动执行器
- 气动执行器
- Handwheel
- Electric actuator
- Pneumatic actuator

## 应用领域 Application Field

清水, 污水, 海水和气体  
Fresh water, waste water, sea water and gas

## 主要材质 Material

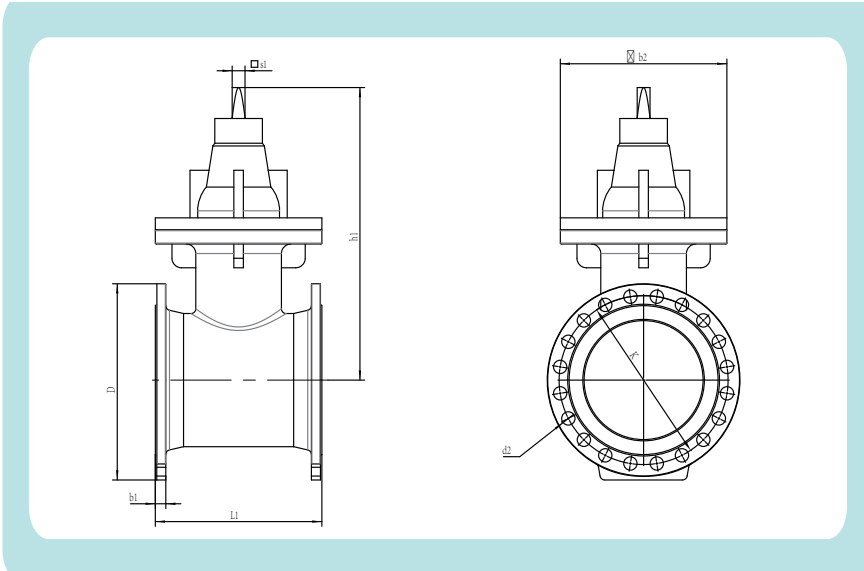
- 阀体: 球墨铸铁 EN-JS1030(GGG-40)
- 端盖: 球墨铸铁 EN-JS1030(GGG-40)
- 楔块: 球墨铸铁 EN-JS1030(GGG-40) EPDM 橡胶包裹
- 阀盖螺栓: 不锈钢 A2(DINENISO3506)
- 阀轴: 不锈钢 1.4021
- 阀轴螺母: 锻造黄铜
- Body: ductile iron EN-JS1030(GGG-40)
- End cover: ductile iron EN-JS1030(GGG-40)
- Wedge: ductile iron EN-JS1030(GGG-40)rubberlized by EPDM
- Bonnet bolts: stainless steel A2(DINENISO3506)
- Valve shaft: stainless steel 1.4021
- Valve nut: forged bronze

## 产品优点 Advantage

- 流体阻力小
- 开闭所需外力较小
- 介质的流向不受限制
- 全开时, 密封面受工作介质的冲蚀比截止阀小
- 体形比较简单, 铸造工艺性较好
- Fluid resistance is small
- Open and close the required external force smaller
- Unrestricted media flow
- When fully open, the sealing surface by erosion of the working medium is smaller than the cut-off valve
- Simple shape, good casting process

## 防腐保护 Corrosion Protection

- 内外环氧树脂喷涂符合 GSK 标准
- epoxy resin coating in line with the GSK standard



公称压力 PN10

DN	单位 /	40	50	65	80	100	125	150	200	250	300	350	400	500	600	700	800	900	1000
D	[mm]	150	165	185	200	220	250	185	340	400	455	520	580	670	780	910	1025	1125	1255
l1	[mm]	140	150	170	180	190	200	210	230	250	270	290	310	350	390	430	470	510	550
b1	[mm]	19	19	19	19	19	19	19	20	22	24.5	26.5	28.5	31.5	30	39.5	43	46.5	50
h1	[mm]	226	233	273	278	310	347	386	493	606	670	852	936	1096	1289	1390	1570	1750	1950
孔数 /holes		4	4	4	8	8	8	8	8	12	12	16	16	20	20	/	/	/	/
行程 /stroke		10	12	16	20	20	25	30	34	43	51	59	50	64	75	/	/	/	/
重量 /weight	[kg]	8.2	9.2	13.5	15.5	17.9	25.7	32.4	53.5	86	115	247	310	510	705	895	1280	1730	3250

\* 更大尺寸阀门, 请联系 TVD 工程师  
Please contact TVD engineer for bigger size than DN600 check valve

\* 其它尺寸阀门, 请联系 TVD 工程师  
Please contact TVD engineer for other size than DN40 check valve



赛泰克（成都）工业设备有限公司

地址：四川省成都市成华区龙绵街1666号1栋1单元1001

电话：400-1028-338