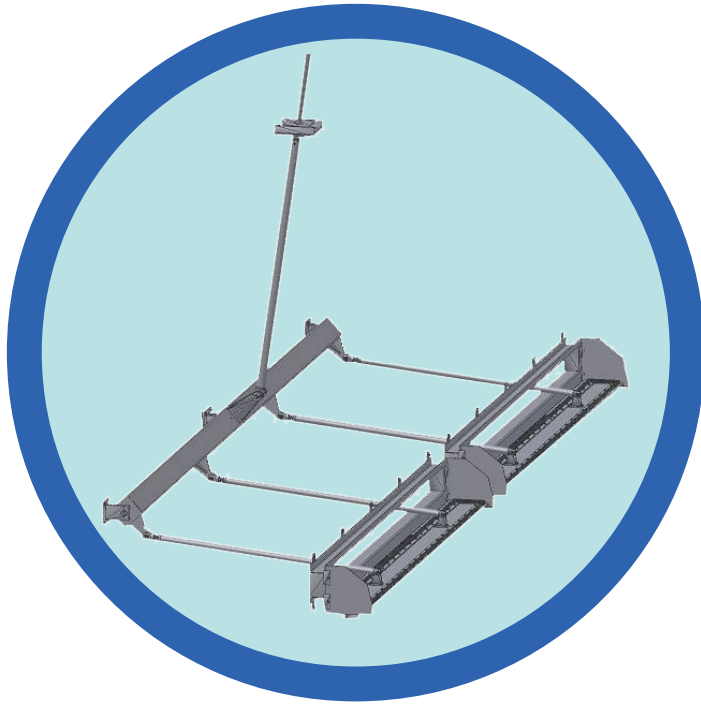


**SATTEC**®

翻板阀  
Flap Valve

100-150X2000-3500 PN0.6-1.6



## 主要特点 Features

- 适用于多种滤料
- 容污能力强
- 滤料流失率低
- 水耗量小
- 反冲洗净度高
- 水头损失小
- 反冲洗周期长
- 气水分布均匀
- Applicable for a variety of filter medium
- Applicable for dirty
- Low wastage rate of the filter medium
- Low water consumption
- Good back flushing effect
- Low head loss
- Uniform distribution of the gas and water when back flushing

## 翻板阀优点 Advantage

- 设计合理，新颖，排水彻底，具备双向的四面密封
- 采用直 / 斜置的提升杆优化设计，可大大减少阀杆与驱动连接轴之间的摩擦，提高使用寿命
- 简单便捷的安装形式：通过化学螺栓和混凝土连接
- 超高的耐腐蚀性能保证长久使用免维护
- Reasonable design, complete drainage with four-side tightness
- Improve the cycle time by the lower friction between the stem and driven shaft
- Simple and convenient installation through chemical bolts
- Ultra-high corrosion resistance to ensure long-term use, maintenance-free

## 密封性能 Sealability

- 通过四面的整体橡胶材料和墙面的紧密结合达到密封效果
- 低于 AWWA C501 标准 1% 的泄漏率 0.0002L/sec · m (全关状态下)
- 采用 EPDM 的橡胶密封，可有效保证滤池冲洗过程中滤料不会被冲出。
- 底部特殊的 EPDM 有较强的抗伸缩能力，可经过数十万次弹性形变过程，依旧保持良好密封特性。
- Good tightness performance through the overall rubber sealing between the wall and the valve
- Leakage rate lower than 1% of AWWA C501, leakage rate 0.0002L / sec·m (fully closed)
- EPDM rubber sealing can grantee no loss of the filter media when flushing
- Keep good tightness performance after more than ten thousands of movement because of the special design of the bottom rubber sealing

## 主要材质 Material

- 门体：SS304 或 SS316
  - 门框：SS304 或 SS316
  - 密封：橡胶 EPDM
  - 连杆：SS304 或 SS316
  - 曲柄：SS304 或 SS316
  - 推杆：SS304 或 SS316
  - 轴承：GC-CuSn12 青铜
  - 化学螺栓：SS316
  - 其他材质可按照客户要求提供
- 
- Door body: SS304 or SS316
  - Door frame: SS304 or SS316
  - Seal: Rubber EPDM
  - Link: SS304 or SS316
  - Crank: SS304 or SS316
  - Putter: SS304 or SS316
  - Bearing: GC-CuSn12 bronze
  - Chemical Bolt: SS316
  - Other materials are available according to customer requirements

## 产品特性 Features

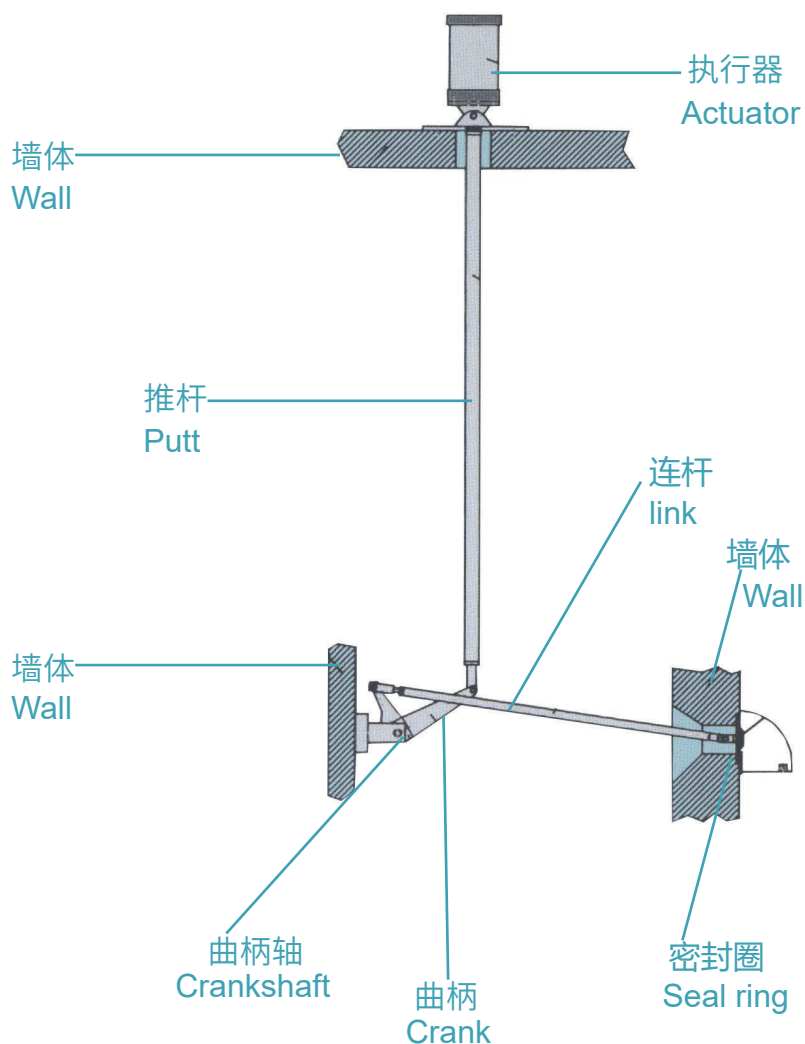
- **独特的 V 形门体设计**  
该阀门采用独特的 V 形结构设计，重量轻、刚性好，采用全不锈钢材质，具有良好的耐腐蚀性能。
- **可更换式密封结构**  
密封结构采用可更换形式，一旦出现损坏，可方便自由更换，能有效地延长整阀的使用寿命。
- **长度可调式连杆结构**  
连杆长度可以调整，使阀门对土建工程有良好的适应性，同时大大降低了现场阀门的安装难度。
- **最优化的支撑曲柄结构设计**  
能够最大的降低摩擦系数，延长使用寿命，并确保阀门开、关动作完全同步，从而保证密封不泄漏。
- **Unique V-shaped door design**  
The valve uses a unique V-shaped structure design, light weight, good rigidity, all stainless steel with a good corrosion resistance
- **Replaceable seal structure**  
Replaceable sealing structure can be easily to replace in case of damage to extent the life cycle of the valve
- **Adjustable the length of connecting rod**  
Good adaptability for civil works and the valve, easlily installaton on site
- **Optimized design of the crank**  
Reduce the friction when the movement of the valve to extend the life cycle of the valve. also be ensure that the open and the close of the valve synchronically, thus make sure the sealing effect

\* 更大尺寸阀门，请联系 TVD 工程师

Please contact TVD engineer for bigger size than DN600 check valve

\* 其它尺寸阀门，请联系 TVD 工程师

Please contact TVD engineer for other size than DN40 check valve



The logo for SATTEC, featuring the word "SATTEC" in a bold, red, sans-serif font. The letter "S" is stylized with a horizontal bar. To the right of the word is a registered trademark symbol (®). The background of the entire page consists of abstract, flowing blue and white curves that create a sense of motion and depth.

**SATTEC<sup>®</sup>**

赛泰克（成都）工业设备有限公司

地址：四川省成都市成华区龙绵街1666号1栋1单元1001

电话：400-1028-338