

The logo for SATTEC, featuring the word "SATTEC" in a bold, red, sans-serif font. The letter "C" is stylized with a hexagonal shape inside it. A registered trademark symbol (®) is located to the upper right of the "C".

**SATTEC®**

管夹阀

Pinch Valve



### 主要材质 Material

- 阀体材料：不锈钢 (1.4404/1.4301), 铝合金, 塑料 :PP、POM...
- 密封圈有多达 20 多种的材质, 如 EPDM,NBR,PTFE
- Housing materials  
Stainless steel (1.4404/1.4301) aluminum alloy, aluminum alloy with stainless steel insert  
Plastics: PP, POM ...
- The material of the sleeves:more than 20 materials, EPDM, NBR, PTFE

### 产品特性 Features

- 具有非常好的密封效果
- 阀门全开时流道成圆形, 平滑
- 易清洗
- 无残留
- 低流阻
- 构造简单, 安全可靠, 性价比高
- Good performance for the tightness
- Fully circular, smooth and straight passage when valve is open fully
- Problem-free cleaning
- No dead volume
- No restrictions to flow
- The system is astonishingly simple, safe robust and cost-effective

### 应用领域 Application Field

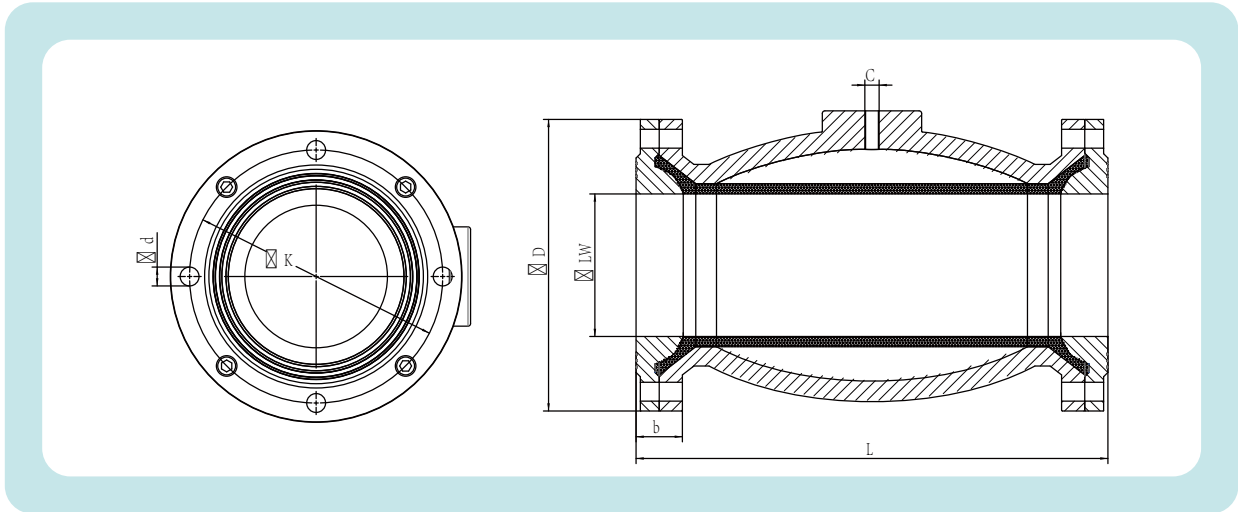
- 适用于高粘度液体, 含尘气体, 粉体, 腐蚀性的或固溶物含量较高但可流动的介质, 广泛应于管网, 水厂, 污水厂和化工厂等
- 作为流体的开关阀
- For all substances that can flow, even difficult ones, in pipe systems and chemical plant, unbeatable as shut-off valves for high-viscosity liquids, pastes, dust-laden gasses and substance that are abrasive, aggressive or contain solids.

### 产品优点 Advantage

- 密封圈具有高弹性, 耐老化, 耐磨, 耐碱和耐酸的特性, 并且符合食品质量安全要求  
可以选择纤维加固
- 密封圈可以轻松更换
- Sleeves are available in high-flexibility, ageing-resistant, abrasion-resistant, alkali and acid-resistant, and foodstuffs-quality versions, with or without fabric reinforcement
- The sleeve can be changed easily

### 防腐保护 Corrosion Protection

- 主体和密封圈材料具有耐腐蚀性, 无需进一步涂层
- The body and sleeve materials are corrosion resistant, no further coating



Type	DN	LW	L	DΦ	KΦ	dΦ	Z <sup>1</sup>	b	c	Weight
	[mm]	[mm]	[mm]	[mm]	[mm]	[mm]		[mm]		[kg]
QV-120-015XX	15	15	186	90	-	-	-	-	G 1/8"	-
QV-120-020-XX	20	20	195	100	-	-	-	-	G 1/8"	-
QV-120-025-XX	25	25	216	110	-	-	-	-	G 1/8"	-
QV-120-032-XX	32	32	240	115	-	-	-	-	G 1/8"	-
QV-120-040-XX	40	38	150	150	110	18	4	26	G 1/4"	2.9
QV-120-050-XX	50	48	162	165	125	18	4	28	G 1/4"	3.3
QV-120-065-XX	65	62	180	185	145	18	4	28	G 1/4"	4.2
QV-120-080-XX	80	76	220	200	160	18	4 <sup>2</sup> )	30	G 1/4"	5.8
QV-120-100-XX	100	96	275	220	180	18	4 <sup>2</sup> )	34	G 1/4"	8.4
QV-120-125-XX	125	120	346	250	210	18	8	40	G 3/8"	12.8
QV-120-150-XX	150	145	416	285	240	22	8	44	G 3/8"	19.5
QV-120-200-XX	200	195	550	340	295	22	8	54	G 3/8"	32
QV-120-250-XX	250									
QV-120-300-XX	300	296	805	590	400	22	12	55	G 1/2"	79

- Z<sup>1</sup> 表示法兰上的孔数
- 最大工作压力 8bar
- 驱动压力比介质压力大 2bar
- 最大口径为 DN600, 具体参数请联系 TVD 工程师

- Number of drilling in the flange
- Max working pressure 8bar
- Driving pressure is 2bar higher than the fluid pressure
- Max diameter can go up to DN600, details refer to TVD engineer





赛泰克（成都）工业设备有限公司

地址：四川省成都市成华区龙绵街1666号1栋1单元1001

电话：400-1028-338