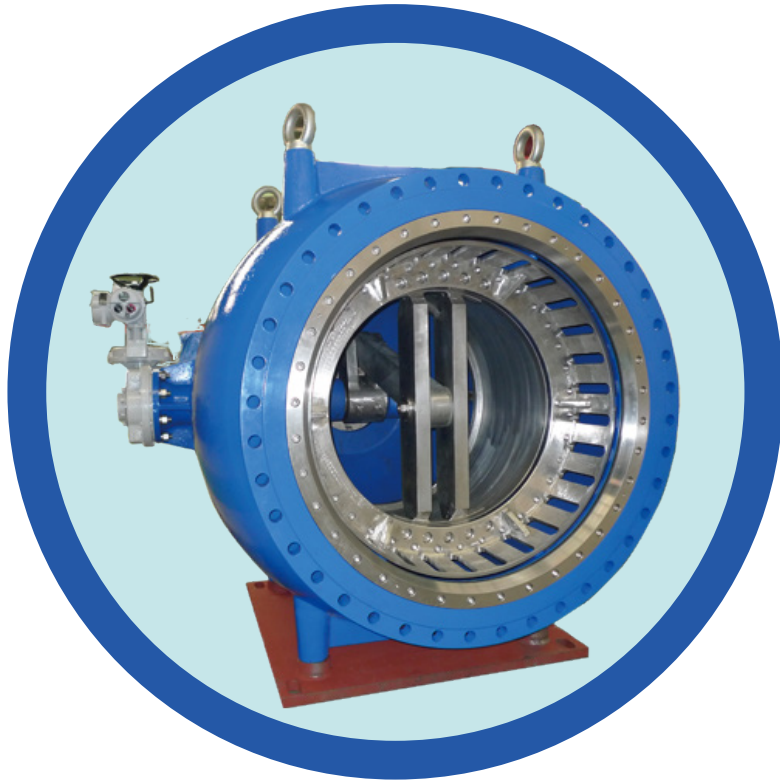


The logo for SATTEC, featuring the brand name in a bold, red, sans-serif font. The letter 'E' is stylized with a hexagonal shape inside it. A registered trademark symbol (®) is located to the upper right of the 'E'.

SATTEC®

活塞调流阀
Plunger Valve



应用领域 Application Field

- 长输水管线
- 生态排放
- 精确曝气
- 其它特殊应用
- Pressure and flow control in long distance transmission
- The discharge of the dam
- Accurate aeration
- Other special applications

产品优点 Advantage

- 低扭矩
- 流量线性精确调节
- 有效消能,无气蚀
- 运行时无振动
- 可精确曝气
- Low torque
- Flow lineai accurate regulation
- Effective energy dissipation, no cavitation
- No vibration at run timw
- Precise aeration

产品特性 Features

- 两端法兰标准符合 EN1092-2
- 直行程控制阀
- 阀门活塞受力平衡,操作扭矩小
- 水流截面为环形
- 通过曲柄连杆使活塞作轴向运动
- 带自锁蜗轮式齿轮箱和位置指示器
- 双密封结构设计
- 黄铜堆焊的导轨,耐磨损
- 根据工况可定制出口部件
- The specification of the flange comply with EN1092-2
- Linear control behavior
- Low operation torque
- The exiting flow section turns out annular shape
- The linear movement of the cylinder is driven by the connecting rod
- With the position indicator and the self-locking worm gear box
- Double sealing structure
- Atin-wearing welding guides
- The modulating part is customized

主要材质 Material

- 阀体：球墨铸铁
EN-JS1030(GGG-40)
- 导轨：铝青铜堆焊
- 活塞：不锈钢
- 阀门密封圈：EPDM
- 内部组件：不锈钢或碳钢
- 螺栓：不锈钢 A4
- 轴套：黄铜
- 吊环：镀锌钢
1.0401(C15)
- Body: ductile cast iron EN-JS1030 (GGG-40)
- Piston guide: bronze overlay welded
- Piston: stainless steel 1.4301
- O-ring : EPDM,NBR,PTFE
- Inner parts: stainless steel/carbon steel
- Bolts: stainless steel A4
- Bearing bush: bronze
- Eye bolts: galvanized steel 1.0401 (C15)

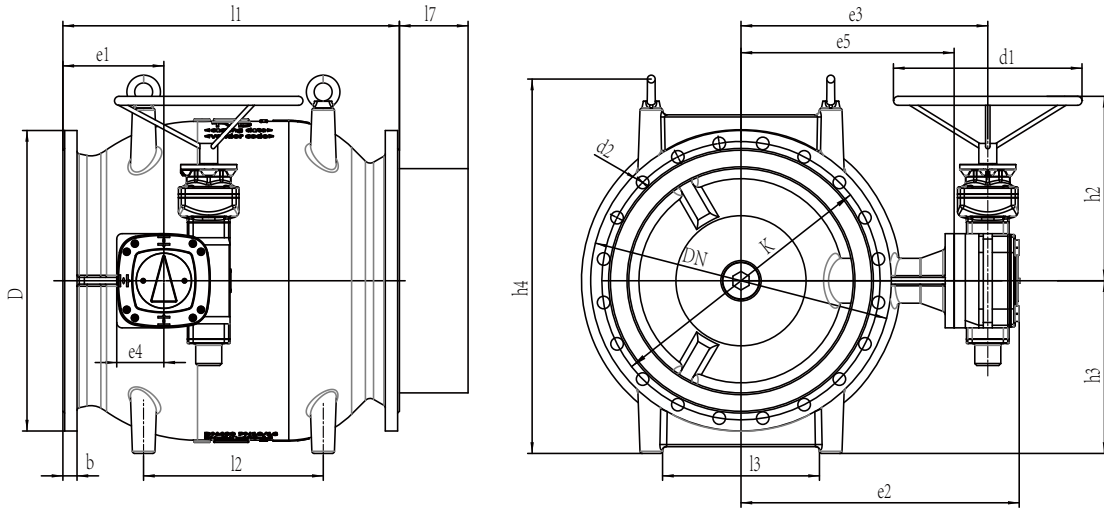
防腐保护 Corrosion Protection

- 内外环氧树脂喷涂
- Epoxy coating

出厂检测标准 (符合 EN12266 标准)

Test standards: EN12266

公称直径 DN	公称压力 PN	最高工作压力 Maximum operating pressure [bar]	中性液体最高工作温度 Maximum operating temperature for neutral liquid [°C]	壳体强度测试 Shell strength test Test pressure [bar]	密封测试 Tightness test Test pressure [bar]
100-1200	40	40	50	60	44
100-1600	25	25	50	37.5	28
100-2000	16	16	50	24	18
100-2000	10	10	50	15	11



公称压力 PN40

DN	单位/unit	300	400	450	500	600	700	800	900	1000	1200
D	[mm]	515	660	685	755	890	995	1140	1250	1360	4575
b	[mm]	39.5	48	49	52	58	64	65	76	80	88
d1	[mm]	250	250	250	400	400	400	400	400	400	400
d2	[mm]	34	41	41	44	50	48	56	56	56	62
e1	[mm]	160	170	150	175	280	315	400	420	460	560
e2	[mm]	403	518	518	629	654	800	797	880	1016	1136
e3	[mm]	345	467	467	550	575	725	725	800	898	1040
e4	[mm]	63	80	80	100	100	125	125	160	160	200
e5	[mm]	300	410	410	475	500	650	650	725	800	950
h2	[mm]	265	268	268	439	449	454	454	520	520	600
h3	[mm]	260	335	345	385	460	520	600	650	720	850
h4	[mm]	573	741	761	841	1010	1150	1309	1428	1568	1828
k	[mm]	450	585	610	670	795	900	1030	1140	1250	1460
l1	[mm]	500	600	650	750	900	1050	1200	1350	1500	1800
l2	[mm]	230	300	350	400	500	560	600	700	750	800
l3	[mm]	230	300	350	400	150	560	600	700	750	800
l7	[mm]	94	127	144	153	20	195	244	275	291.5	363
孔数/holes		16	16	20	20	20	24	24	28	28	32
重量/weight	kg	210	395	465	670	1120	1700	2200	2800	4125	5500
体积/volume	m3	0.2	0.4	0.45	0.7	1	1.2	2.2	3	4.1	6.5

公称压力 PN25

DN	单位/unit	300	400	450	500	600	700	800	900	1000	1200	1600
D	[mm]	485	620	670	730	845	960	1085	1185	1320	1530	1975
b	[mm]	24.5	32	34.5	41.5	42	46.5	51	55.5	60	69	81
d1	[mm]	250	250	250	400	400	400	400	400	400	400	400
d2	[mm]	31	37	37	37	41	44	50	50	57	57	62
e1	[mm]	160	170	150	175	280	315	400	420	460	560	725
e2	[mm]	403	518	518	629	654	800	797	880	1016	1136	1609
e3	[mm]	345	467	467	550	575	725	725	800	898	1040	1490
e4	[mm]	63	80	80	100	100	125	125	160	160	200	250
e5	[mm]	300	410	410	475	500	650	650	725	800	950	1350
h2	[mm]	265	268	268	439	449	454	454	520	520	600	705
h3	[mm]	260	335	345	385	460	520	600	650	720	850	1200
h4	[mm]	573	741	761	841	1010	1150	1309	1428	1568	1828	2608
k	[mm]	430	550	600	660	770	875	990	1090	1210	1420	1860
l1	[mm]	500	600	650	750	900	1050	1200	1350	1500	1800	2500
l2	[mm]	230	300	350	400	500	560	600	700	750	800	1200
l3	[mm]	230	300	350	400	500	560	600	700	750	800	1200
l7	[mm]	94	127	144	153	150	195	244	275	291.5	363	480
孔数/holes		16	16	20	20	20	24	24	28	28	32	40
重量/weight	kg	180	340	405	610	1020	1600	2030	2600	3800	5200	17300
体积/volume	m3	0.2	0.4	0.45	0.7	1	1.15	2.2	3	4.1	6.5	18

公称压力 PN16

DN	单位 /unit	300	400	450	500	600	700	800	900	1000	1200	1400	1600	1800	2000
D	[mm]	460	580	640	715	840	970	1025	1125	1255	1485	1685	1930	2130	2345
b	[mm]	24.5	28	30	31.5	36	39.5	43	46.5	50	57	60	65	75	80
d1	[mm]	250	250	250	400	400	400	400	400	400	400	400	400	630	630
d2	[mm]	28	31	31	34	37	37	40	41	44	50	50	57	59	62
e1	[mm]	160	170	150	175	280	315	400	420	460	560	650	725	900	900
e2	[mm]	403	518	518	629	654	800	797	880	1016	1136	1335	1609	1865	1930
e3	[mm]	345	467	467	550	575	725	725	800	898	1040	1205	1490	1705	1735
e4	[mm]	63	80	80	100	100	125	125	160	160	200	250	250	340	430
e5	[mm]	300	410	410	475	500	650	650	725	800	950	1100	1350	1560	1560
h2	[mm]	265	268	268	439	449	454	454	520	520	600	725	705	985	1066
h3	[mm]	260	335	345	385	460	520	600	650	720	850	1000	1200	1280	1400
h4	[mm]	573	741	761	841	1010	1150	1309	1428	1568	1828	2200	2608	2858	3120
k	[mm]	410	525	585	650	770	840	950	1050	1170	1390	1590	1820	2020	2230
l1	[mm]	500	600	650	750	900	1050	1200	1350	1500	1800	2100	2500	2700	3000
l2	[mm]	230	300	350	400	500	560	600	700	750	800	1000	1200	1500	1600
l3	[mm]	230	300	350	400	500	560	600	700	750	800	1000	1200	1500	1600
l7	[mm]	94	127	144	153	150	195	244	275	291.5	363	480	480	658	723
孔数 /holes		12	16	20	20	20	24	24	28	28	32	36	40	44	48
重量 /weight	kg	170	305	350	550	990	1500	1950	2550	3640	5000	8835	17000	20000	25500
体积 /volume	m3	0.2	0.4	0.45	0.7	1	1.09	2.2	3	4.1	5.1	6.1	9.9	12.8	16.6



公称压力 PN10

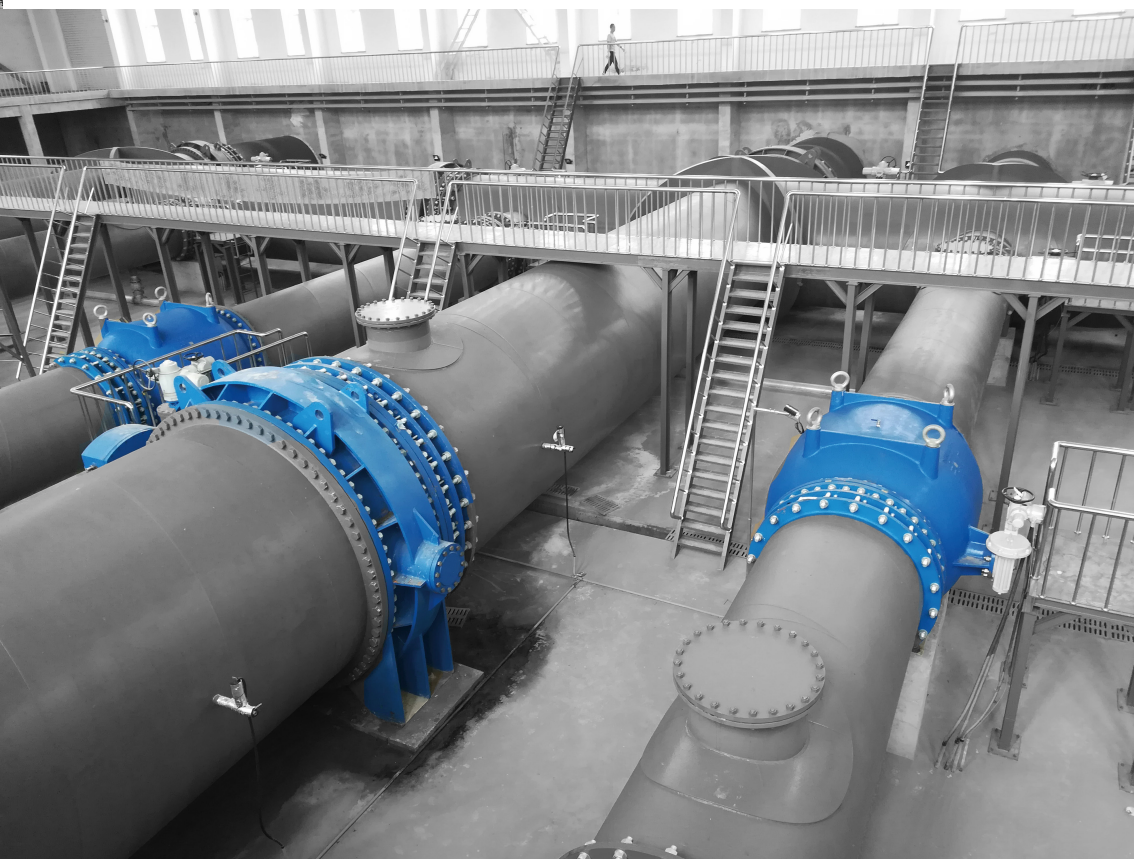
DN	单位 /unit	300	400	450	500	600	700	800	900	1000	1200	1400	1600	1800	2000
D	[mm]	445	565	615	670	780	895	1015	1115	1230	1455	1915	1915	2115	2325
b	[mm]	24.5	28	30	31.5	36	39.5	43	46.5	50	57	50	50	75	80
d1	[mm]	250	250	250	400	400	400	400	400	400	400	400	400	500	500
d2	[mm]	23	28	28	28	31	31	34	34	37	41	50	50	50	50
e1	[mm]	160	170	150	175	280	315	400	420	460	560	650	725	900	900
e2	[mm]	403	518	518	629	645	800	797	880	1016	1136	1335	1609	1865	1930
e3	[mm]	345	467	467	550	575	725	725	800	898	1040	1205	1490	1705	1735
e4	[mm]	63	80	80	100	100	125	125	160	160	200	250	250	340	430
e5	[mm]	300	410	410	475	500	650	650	725	800	950	1100	1350	1560	1560
h2	[mm]	265	268	268	439	449	454	454	520	520	600	725	705	985	1066
h3	[mm]	260	335	345	385	460	520	600	650	720	850	1000	1200	1280	1400
h4	[mm]	573	741	761	841	1010	1150	1309	1428	1568	1828	2200	2608	2858	3120
k	[mm]	400	515	565	620	725	840	950	1050	1160	1380	1820	1820	2020	2230
l1	[mm]	500	600	650	750	900	1050	1200	1350	1500	1800	2100	2500	2700	3000
l2	[mm]	230	300	350	400	500	560	600	700	750	800	1000	1200	1500	1600
l3	[mm]	230	300	350	400	500	560	600	700	750	800	1000	1200	1500	1600
l7	[mm]	94	127	144	153	150	194	244	275	291.5	363	480	480	658	723
孔数 /holes		12	16	20	20	20	24	24	28	28	32	40	40	44	48
重量 /weight	kg	170	305	350	540	940	1500	1900	2500	3640	4900	8835	17000	20000	25500
体积 /volume	m3	0.2	0.4	0.45	0.7	1	1.08	2.2	3	4.1	5.1	6.1	9.9	12.8	16.6

* 更大尺寸阀门, 请联系 TVD 工程师

Please contact TVD engineer for bigger size than DN2000 plunger valve

* 其它尺寸阀门, 请联系 TVD 工程师

Please contact TVD engineer for other size than DN100 plunger valve





赛泰克（成都）工业设备有限公司

地址：四川省成都市成华区龙绵街1666号1栋1单元1001

电话：400-1028-338